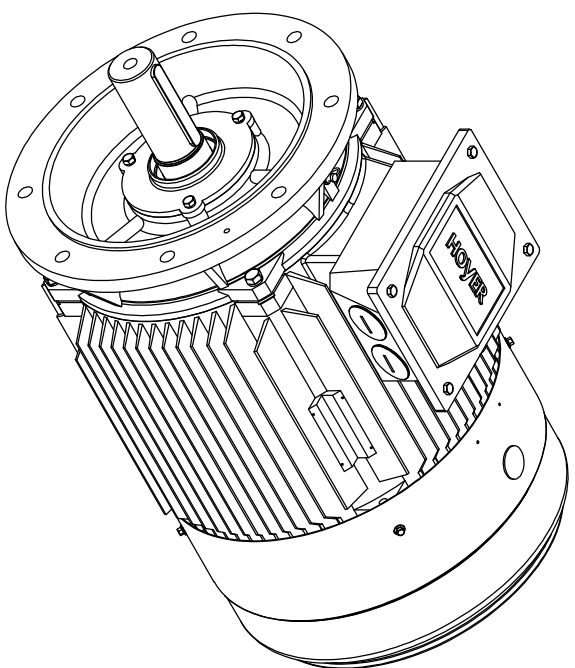
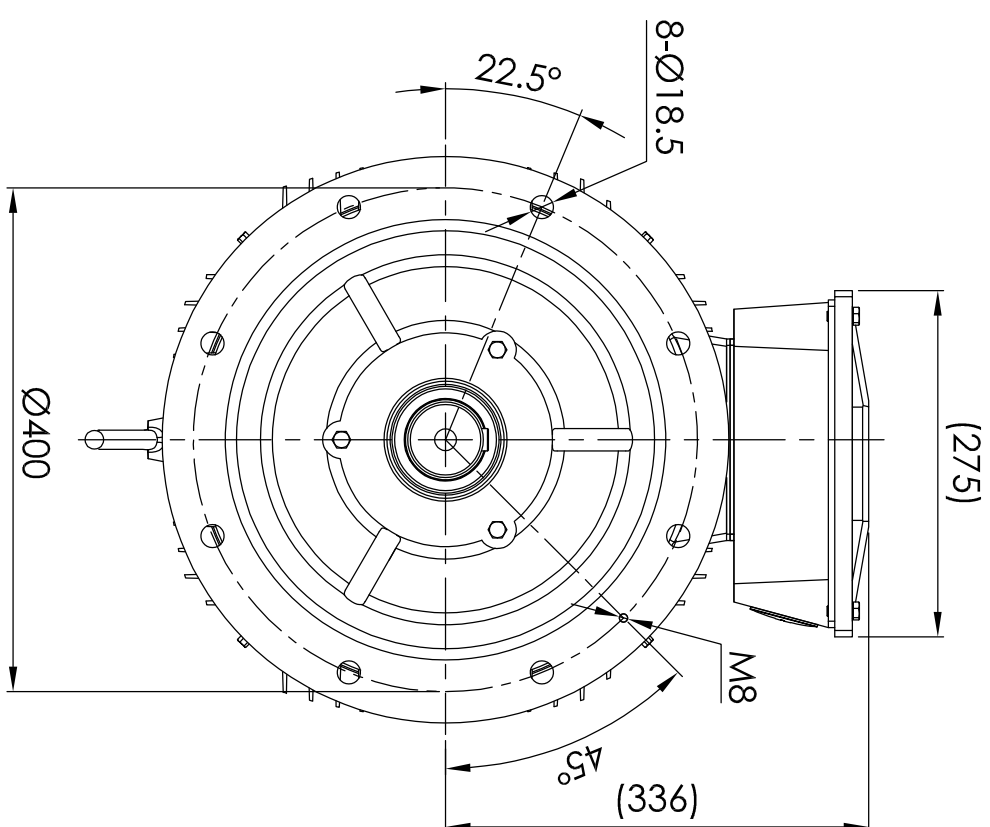



SECTION A-A  
SCALE 1 : 2



Note:

1. All dimensions are in mm
2. Tolerances not informed on the drawing according to the mounting tolerance table.

Mounting tolerance		Hoyer Motors		DEBUR AND BREAK SHARP EDGES		DRAWING NOT IN SCALE						
Dimensions range	Tolerance	 <p>Over Hadsstenvej 42, DK-8370 Hadssten Tel : +45 86982111 Fax: +45 86981779 www.hoyermotors.com</p>		<p>Protection: IEC 60034-5 Machined Part: ISO 2768 Dimension: IEC 60072 Weld Constr: ISO 8015 Tolerance: ISO 286 Castings: ISO 8062</p>		<p>DWG NO.: TD-ID-D1072</p> <p>Weight: 332 kg</p>						
0<D≤400	±10							REV.	LOCATION	DATE	RESP.	APPROVED
400<D≤1000	±20							0	N/A	30/09/2024	L&T	Hoyer
1000<D≤2000	±30							DESCRIPTION		First issued	TITLE:	
2000<D≤4000	±35	Unit: mm		4000<D≤8000		±40	HMCC4-225S-4p-B5					
Representation of the machine is illustrative only		Some features may not be represented		For installation or maintenance, consult operation manual		SCALE: 1:10						
Key:		Key:		Key:		SHEET 1 OF 1						