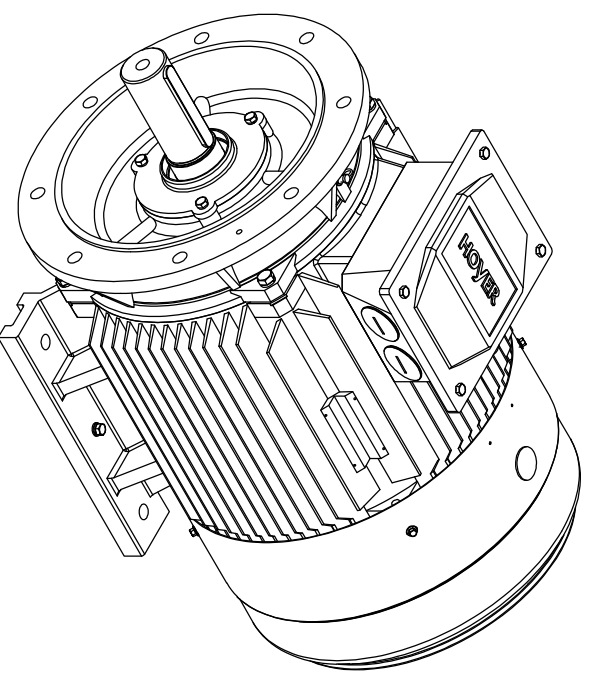


SECTION A-A  
SCALE 1 : 2



**Note:**

1. All dimensions are in mm

2. Tolerances not informed on the drawing according to the mounting tolerance table.

Mounting tolerance	
Dimensions range	Tolerance
0<D≤400	±10
400<D≤1000	±20
1000<D≤2000	±30
2000<D≤4000	±35
4000<D≤8000	±40

Unit: mm



Representation of the machine is illustrative only  
Some features may not be represented  
For installation or maintenance, consult operation manual



**Hoyer Motors**  
Over Hadsstenvej 42, DK-8370 Hadssten  
Tel : +45 86982111  
Fax: +45 86981779  
www.hoyermotors.com

**DEBUR AND BREAK SHARP EDGES**

REV.	LOCATION	DESCRIPTION	DATE	RESP.	APPROVED
0	N/A	First issued	01/10/2024	L&T	Hoyer

TITLE:  
**HMC4-225S-4p-B35**

DWG NO.:  
**TD-ID-D1070**

A3

SCALE: 1:10 Weight: 332kg SHEET 1 OF 1