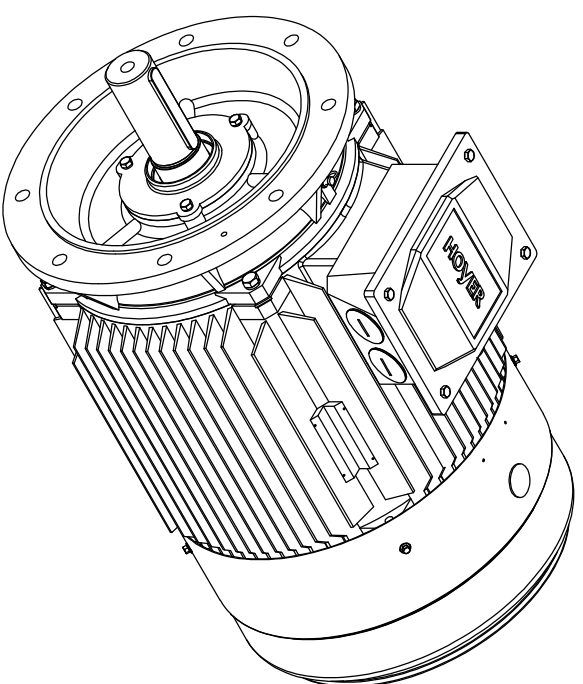
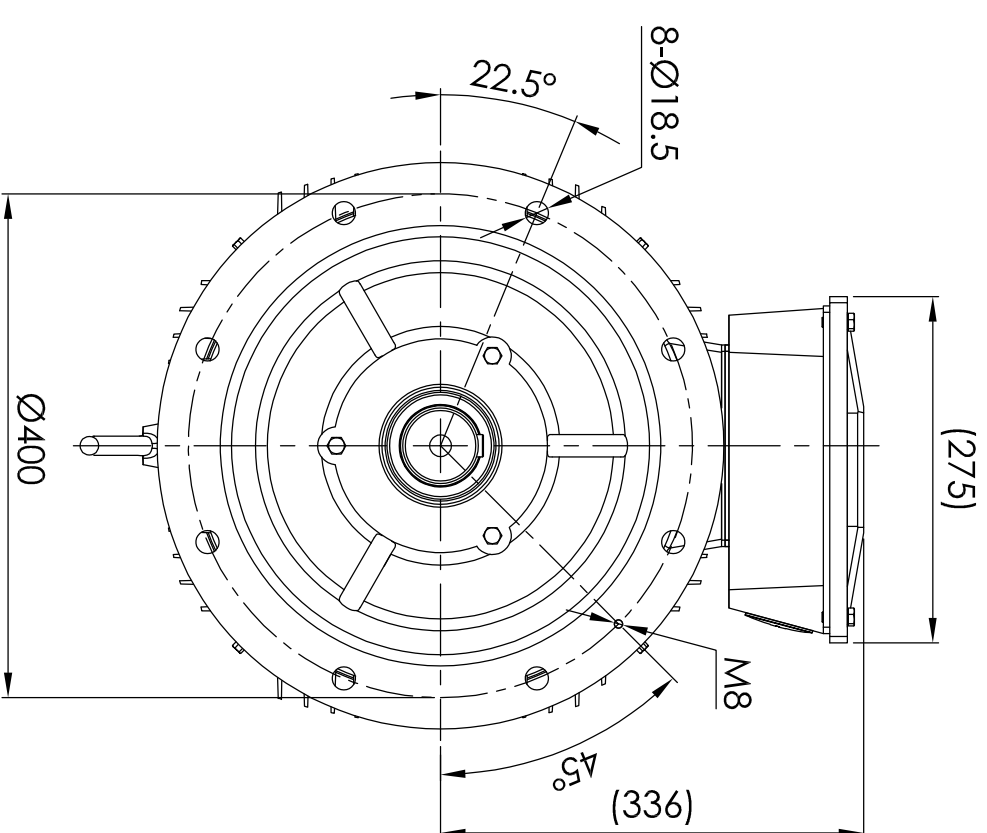


SECTION A-A  
SCALE 1 : 2



Note:

1. All dimensions are in mm

2. Tolerances not informed on the drawing according to the mounting tolerance table.

Mounting tolerance		Hoyer Motors		DEBUR AND BREAK SHARP EDGES		DRAWING NOT IN SCALE	
Dimensions range	Tolerance	REV.	LOCATION	DESCRIPTION	DATE	RESP.	APPROVED
0<D≤400	±10			First issued	30/09/2024	L&T	Hoyer
400<D≤1000	±20		N/A				
1000<D≤2000	±30						
2000<D≤4000	±35						
4000<D≤8000	±40						
Unit: mm		Hoyer Motors		DEBUR AND BREAK SHARP EDGES		DRAWING NOT IN SCALE	
Representation of the machine is illustrative only		Over Hadsstenvej 42, DK-8370 Hadssten		Tol : +45 86982111		Protection: IEC 60034-5	
Some features may not be represented		Tel : +45 86982111		Fax: +45 86981779		Dimension: IEC 60072	
For installation or maintenance, consult operation manual		www.hoyermotors.com				Weld Constr: ISO 8015	
						Tolerance: ISO 286	
						Castings: ISO 8062	
						Key: IEC 60072	
						Machined Part: ISO 2768	
						Scale: 1:10	
						Weight: 353 kg	
						SHEET 1 OF 1	
						DWG NO.: TD-ID-D1068	
						A3	
						TITLE: HMC4-225M-4p-B5	