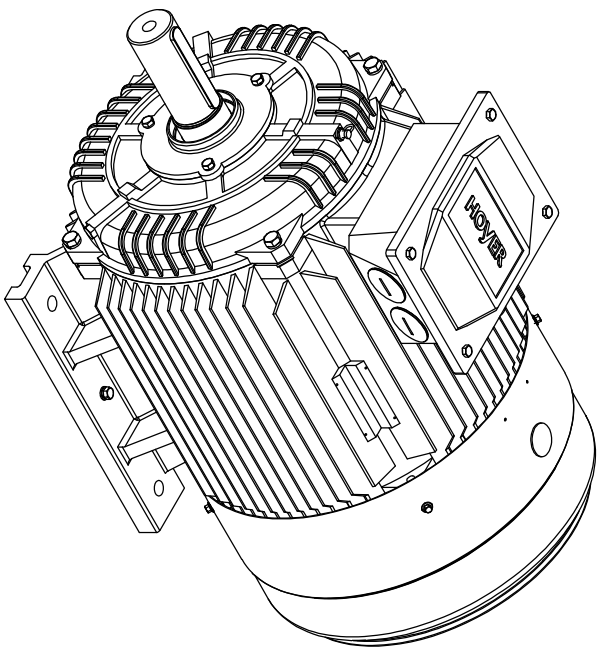



SECTION A-A
SCALE 1:2



- Note:**
- All dimensions are in mm
 - Tolerances not informed on the drawing according to the mounting tolerance table.

Mounting tolerance		Hoyer Motors		DEBUR AND BREAK SHARP EDGES		DRAWING NOT IN SCALE							
Dimensions range	Tolerance	 <p>Over Hadsstenvej 42, DK-8370 Hadssten Tel.: +45 86982111 Fax: +45 86981779 www.hoyermotors.com</p>		<p>30/09/2024</p> <p>L&T</p> <p>Hoyer</p>		<p>TITLE:</p> <p>HMC4-225M-4p-B3</p>							
0<D≤400	±10							REV.	LOCATION	DESCRIPTION	DATE	RESP.	APPROVED
400<D≤1000	±20							0	N/A	First issued	30/09/2024	L&T	Hoyer
1000<D≤2000	±30												
2000<D≤4000	±35												
4000<D≤8000	±40												
Unit: mm													
Representation of the machine is illustrative only		Protection: IEC 60034-5		Machined Part: ISO 2768		DWG NO.:							
Some features may not be represented		Dimension: IEC 60072		Weld Constr: ISO 8015		TD-ID-D1065							
For installation or maintenance, consult operation manual		Tolerance: ISO 286		Castings: ISO 8062		A3							
		Key: IEC 60072				SCALE:1:10							
						Weight: 353 kg							
						SHEET 1 OF 1							