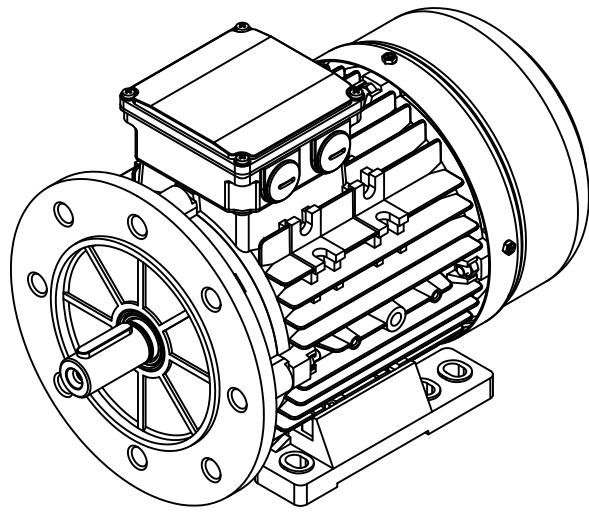



SECTION A-A  
SCALE 2 : 1



Note:

- 1.All dimensions are in mm
- 2.Tolerances not informed on the drawing according to the mounting tolerance table.

Mounting tolerance		 <p><b>HOYER</b> EXCEEDING EXPECTATIONS</p>	Hoyer Motors				DEBUR AND BREAK SHARP EDGES	DRAWING NOT IN SCALE	
Dimensions range	Tolerance		Over Hadstenevej 42, DK-8370 Hadsten					OUTLINE DRAWING	
0<D≤400	±10		Tel : +45 86982111					TITLE:	
400<D≤1000	±20		Fax: +45 86981779					HMA4-90S-6p-B35	
1000<D≤2000	±30		www.hoyermotors.com					DWG NO.:	
2000<D≤4000	±35	REV.	LOCATION	DESCRIPTION	DATE	RESP.	APPROVED	TD-ID-D2145	
4000<D≤8000	±40	0	N/A	First issued	31/05/2024	L&T	Hoyer	A3	
Unit: mm		Representation of the machine is illustrative only		Protection:	IEC 60034-5	Machined Part:	ISO 2768	SCALE:1:1	
		Some features may not be represented		Dimension:	IEC 60072	Weld Constr:	ISO 8015	Weight: 17 kg	
		For installation or maintenance, consult operation manual		Tolerance:	ISO 286	Castings:	ISO 8062	SHEET 1 OF 1	
				Key:	IEC 60072				

