

A

B

C

D

E

F

A

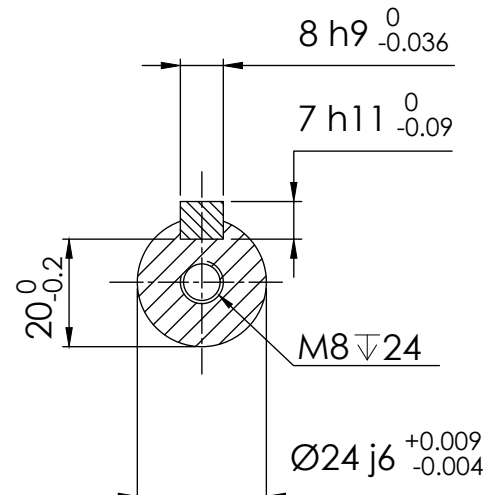
B

C

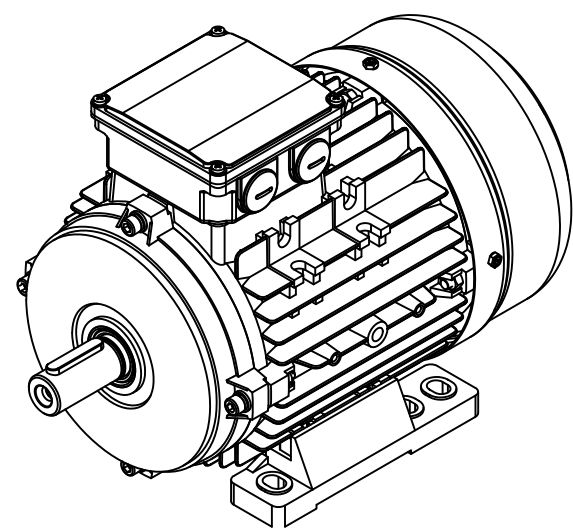
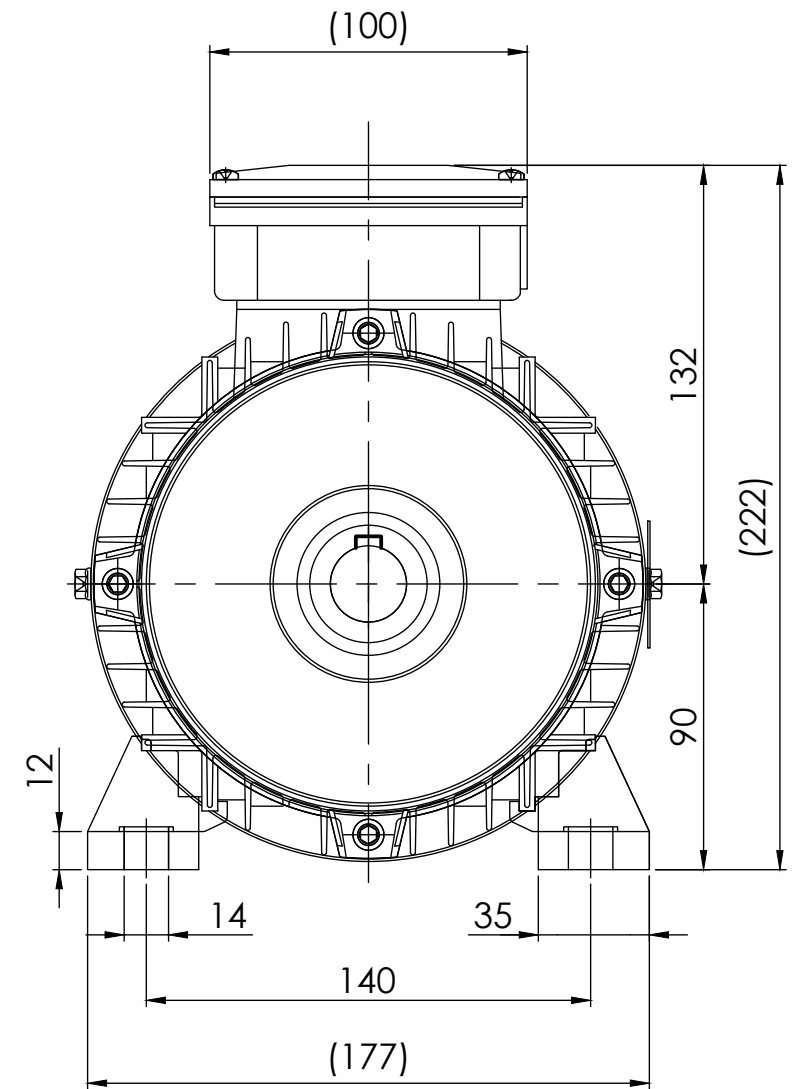
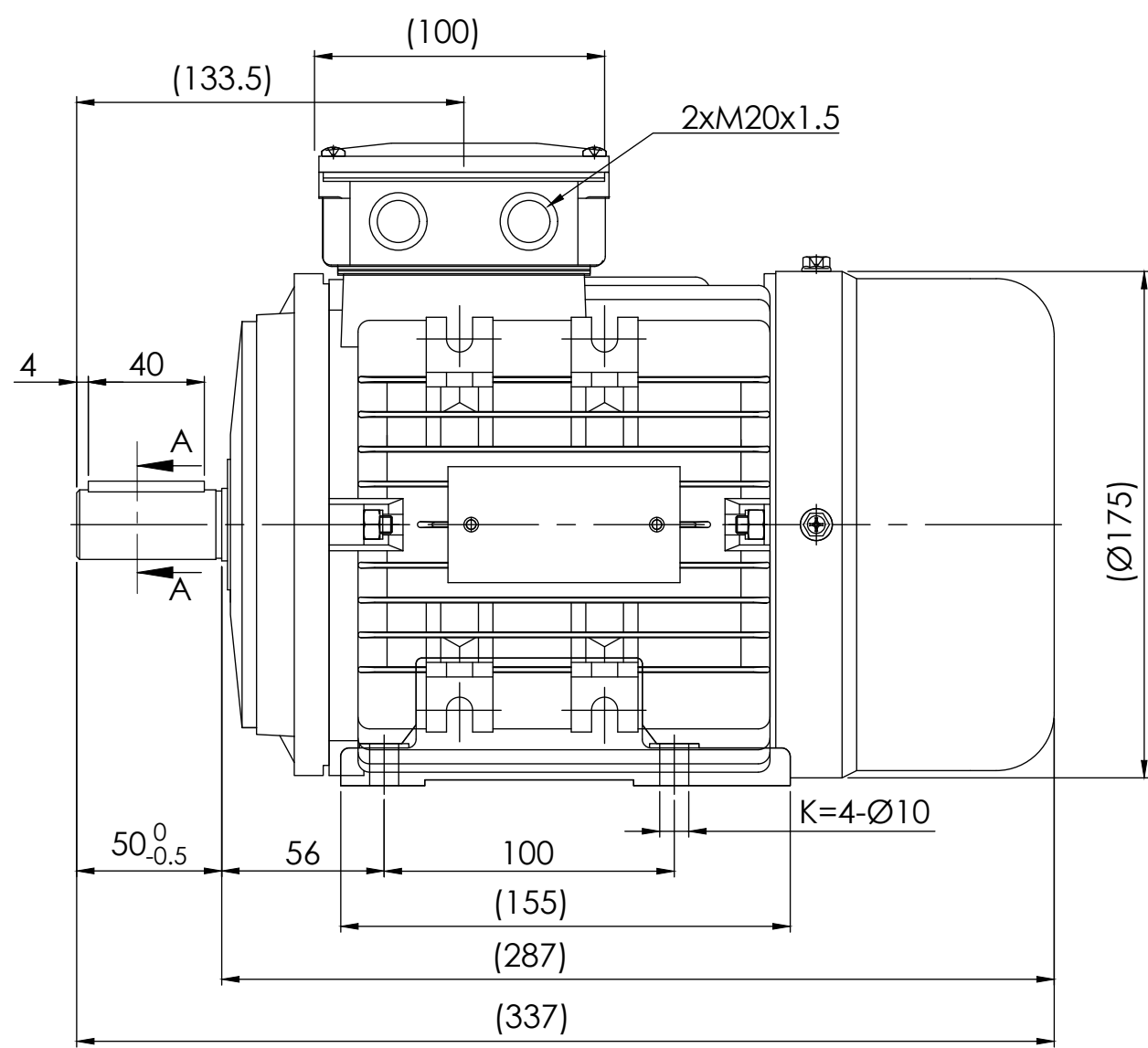
D

E

F





SECTION A-A
SCALE 2 : 1



Note:

- All dimensions are in mm
- Tolerances not informed on the drawing according to the mounting tolerance table.

Mounting tolerance		 <p>HOYER EXCEEDING EXPECTATIONS</p>	Hoyer Motors		DEBUR AND BREAK SHARP EDGES		DRAWING NOT IN SCALE		
Dimensions range	Tolerance		Over Hadstenevej 42, DK-8370 Hadsten				OUTLINE DRAWING		
0<D≤400	±10		REV.	LOCATION	DESCRIPTION	DATE	RESP.	APPROVED	TITLE: HMA4-90S-4p-B3
400<D≤1000	±20		0	N/A	First issued	30/05/2024	L&T	Hoyer	
1000<D≤2000	±30								
2000<D≤4000	±35								
4000<D≤8000	±40								
Unit: mm									
 Representation of the machine is illustrative only Some features may not be represented For installation or maintenance, consult operation manual		Protection:	IEC 60034-5	Machined Part:	ISO 2768	DWG NO.:		TD-ID-D1108 A3	
		Dimension:	IEC 60072	Weld Constr:	ISO 8015	SCALE:1:1			Weight: 19 kg
		Tolerance:	ISO 286	Castings:	ISO 8062	SHEET 1 OF 1			
		Key:	IEC 60072						