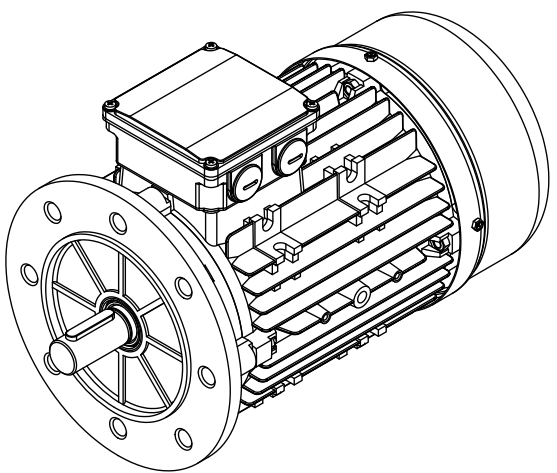




SECTION A-A  
SCALE 2 : 1



Note:  
 1. All dimensions are in mm  
 2. Tolerances not informed on the drawing according to the mounting tolerance table.

Mounting tolerance		 <p><b>HOYER</b> EXCEEDING EXPECTATIONS</p>	Hoyer Motors		DEBUR AND BREAK SHARP EDGES		DRAWING NOT IN SCALE		
Dimensions range	Tolerance		Over Hadstenevej 42, DK-8370 Hadsten				OUTLINE DRAWING		
0<D≤400	±10		Tel : +45 86982111				TITLE:		
400<D≤1000	±20		REV.	LOCATION	DESCRIPTION	DATE	RESP.	APPROVED	HMA4-90S-4p-B14
1000<D≤2000	±30		0	N/A	First issued	31/05/2024	L&T	Hoyer	
2000<D≤4000	±35								
4000<D≤8000	±40								
Unit: mm									
 Representation of the machine is illustrative only Some features may not be represented For installation or maintenance, consult operation manual		Protection:		IEC 60034-5	Machined Part:		ISO 2768	DWG NO.:	
		Dimension:		IEC 60072	Weld Constr:		ISO 8015		TD-ID-D1110
		Tolerance:		ISO 286	Castings:		ISO 8062		
		Key:		IEC 60072				SCALE:1:1	
								Weight: 19 kg	
								SHEET 1 OF 1	