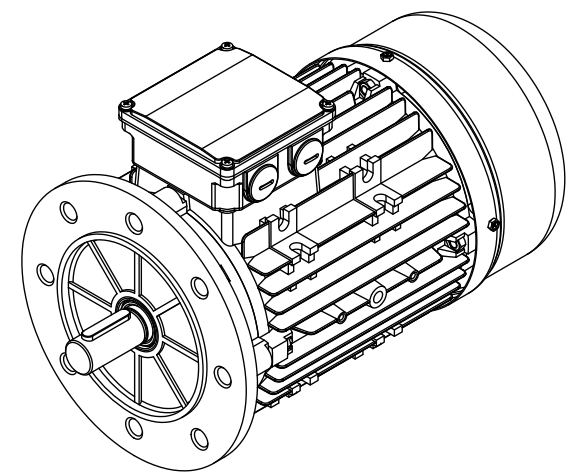




SECTION A-A  
SCALE 2 : 1



Note:

- 1.All dimensions are in mm
- 2.Tolerances not informed on the drawing according to the mounting tolerance table.

Mounting tolerance		 <p><b>HOYER</b> EXCEEDING EXPECTATIONS</p>	<b>Hoyer Motors</b> Over Hadstenevej 42, DK-8370 Hadsten Tel : +45 86982111 Fax: +45 86981779 www.hoyermotors.com		DEBUR AND BREAK SHARP EDGES	DRAWING NOT IN SCALE  OUTLINE DRAWING		
Dimensions range	Tolerance		REV.	LOCATION	DESCRIPTION	DATE	RESP.	APPROVED
0<D≤400	±10		0	N/A	First issued	31/05/2024	L&T	Hoyer
400<D≤1000	±20							
1000<D≤2000	±30							
2000<D≤4000	±35							
4000<D≤8000	±40							
Unit: mm								
 Representation of the machine is illustrative only Some features may not be represented For installation or maintenance, consult operation manual		Protection:	IEC 60034-5	Machined Part:	ISO 2768	DWG NO.: TD-ID-D1096		
		Dimension:	IEC 60072	Weld Constr:	ISO 8015	A3		
		Tolerance:	ISO 286	Castings:	ISO 8062	SCALE:1:1		
		Key:	IEC 60072			Weight: 17 kg		
						SHEET 1 OF 1		