

1 2 3 4 5 6 7 8

A

B

C

D

E

F

A

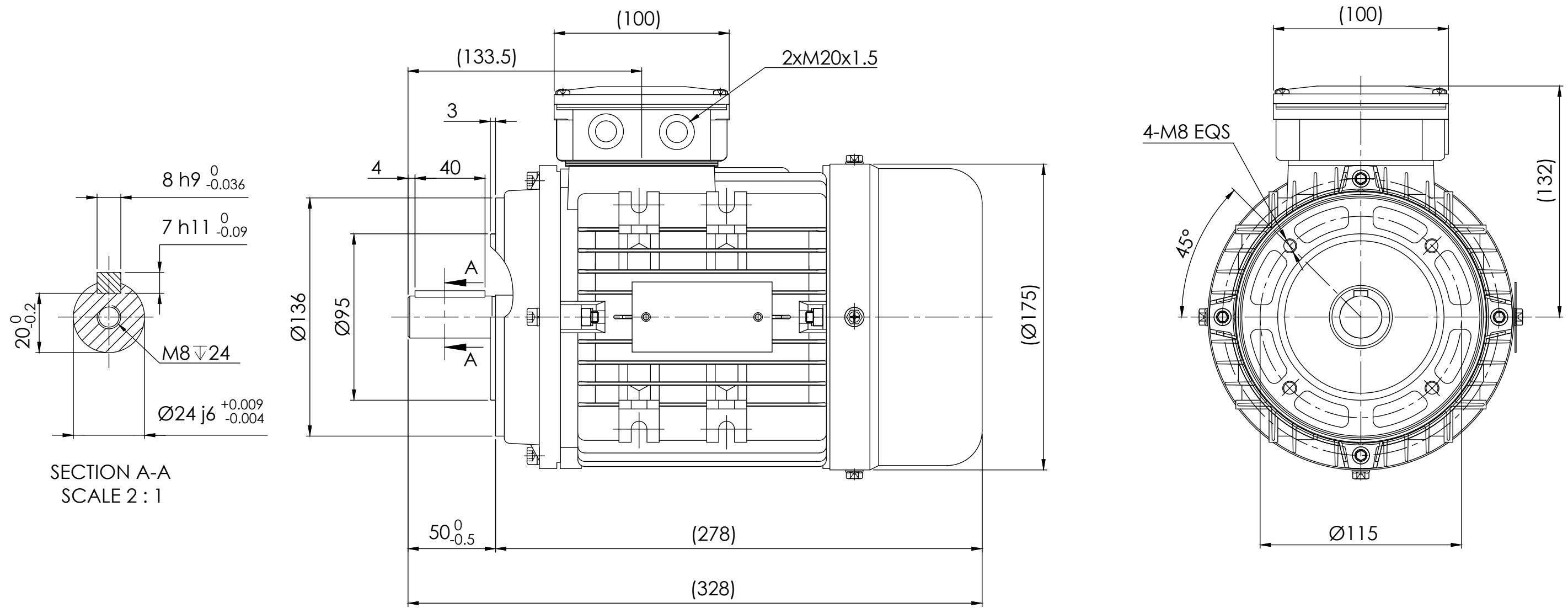
B

C

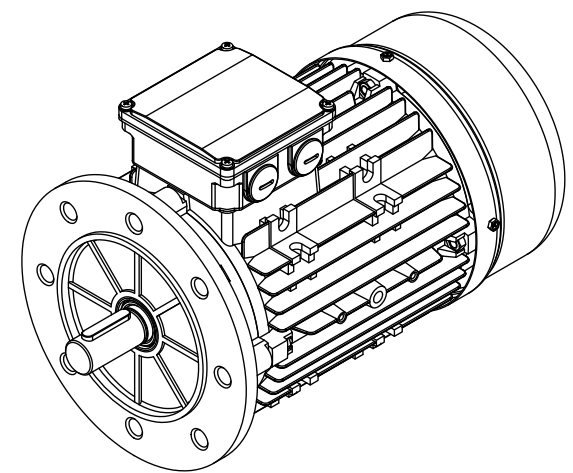
D

E

F





SECTION A-A
SCALE 2 : 1



Note:

1. All dimensions are in mm
2. Tolerances not informed on the drawing according to the mounting tolerance table.

Mounting tolerance		 <p>HOYER EXCEEDING EXPECTATIONS</p>	Hoyer Motors Over Hadstenevej 42, DK-8370 Hadsten Tel : +45 86982111 Fax: +45 86981779 www.hoyermotors.com				DEBUR AND BREAK SHARP EDGES	DRAWING NOT IN SCALE		
Dimensions range	Tolerance		REV.	LOCATION	DESCRIPTION	DATE	RESP.	APPROVED	OUTLINE DRAWING	
0<D≤400	±10		0	N/A	First issued	31/05/2024	L&T	Hoyer	TITLE: HMA4-90S-2p-B14	
400<D≤1000	±20								DWG NO.: TD-ID-D1097	
1000<D≤2000	±30								A3	
2000<D≤4000	±35							SCALE:1:1		
4000<D≤8000	±40							Weight: 17 kg		
Unit: mm								SHEET 1 OF 1		
 Representation of the machine is illustrative only Some features may not be represented For installation or maintenance, consult operation manual			Protection: IEC 60034-5 Dimension: IEC 60072 Tolerance: ISO 286 Key: IEC 60072		Machined Part: ISO 2768 Weld Constr: ISO 8015 Castings: ISO 8062					