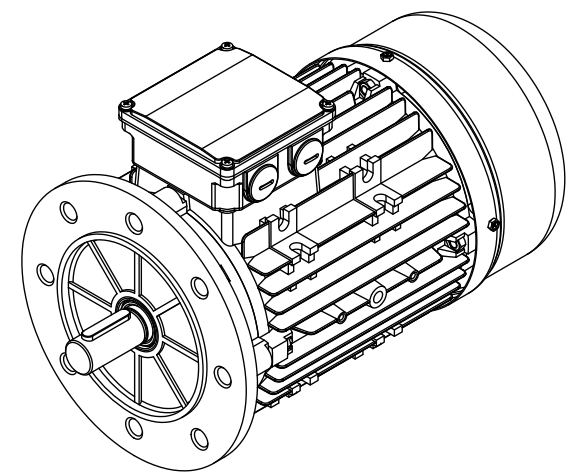




SECTION A-A
SCALE 2 : 1



Note:

- 1.All dimensions are in mm
- 2.Tolerances not informed on the drawing according to the mounting tolerance table.

Mounting tolerance		 <p>HOYER EXCEEDING EXPECTATIONS</p>	Hoyer Motors				DEBUR AND BREAK SHARP EDGES	DRAWING NOT IN SCALE		
Dimensions range	Tolerance		Over Hadstenvvej 42, DK-8370 Hadsten Tel : +45 86982111 Fax: +45 86981779 www.hoyermotors.com					OUTLINE DRAWING		
0<D≤400	±10		REV.	LOCATION	DESCRIPTION	DATE		RESP.	APPROVED	TITLE: HMA4-90L-6p-B5
400<D≤1000	±20		0	N/A	First issued	31/05/2024		L&T	Hoyer	
1000<D≤2000	±30									
2000<D≤4000	±35									
4000<D≤8000	±40									
Unit: mm										
 Representation of the machine is illustrative only Some features may not be represented For installation or maintenance, consult operation manual		Protection:	IEC 60034-5	Machined Part:	ISO 2768	DWG NO.:		A3		
		Dimension:	IEC 60072	Weld Constr:	ISO 8015	TD-ID-D2138				
		Tolerance:	ISO 286	Castings:	ISO 8062	SCALE:1:1				
		Key:	IEC 60072			Weight: 20 kg		SHEET 1 OF 1		