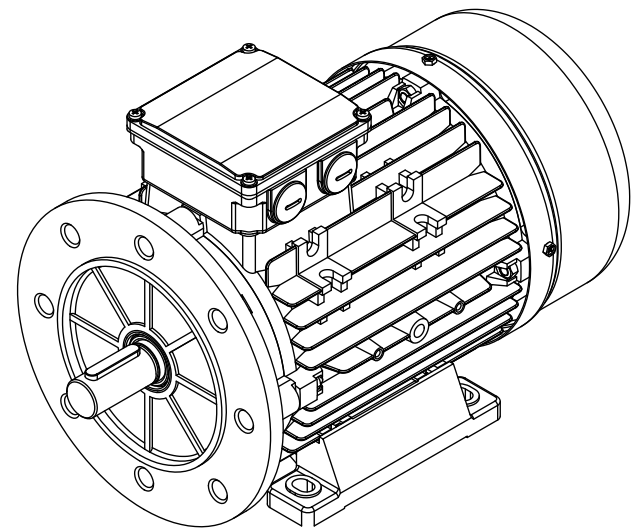



Note:  
 1. All dimensions are in mm  
 2. Tolerances not informed on the drawing according to the mounting tolerance table.



Mounting tolerance		 <b>HOYER</b> <small>EXCEEDING EXPECTATIONS</small>	Hoyer Motors		DEBUR AND BREAK SHARP EDGES		DRAWING NOT IN SCALE		
Dimensions range	Tolerance		Over Hadstenevej 42, DK-8370 Hadsten				OUTLINE DRAWING		
0 < D ≤ 400	±10		Tel : +45 86982111				TITLE:		
400 < D ≤ 1000	±20		Fax: +45 86981779				HMA4-90L-6p-B35		
1000 < D ≤ 2000	±30		www.hoyermotors.com				DWG NO.:		
2000 < D ≤ 4000	±35	REV.	LOCATION	DESCRIPTION	DATE	RESP.	APPROVED	A3	
4000 < D ≤ 8000	±40	0	N/A	First issued	31/05/2024	L&T	Hoyer		
Unit: mm		Representation of the machine is illustrative only		Protection:	IEC 60034-5	Machined Part:	ISO 2768	SCALE:1:1	
		Some features may not be represented		Dimension:	IEC 60072	Weld Constr:	ISO 8015		Weight: 20 kg
		For installation or maintenance, consult operation manual		Tolerance:	ISO 286	Castings:	ISO 8062		
				Key:	IEC 60072				