

1 2 3 4 5 6 7 8

A

B

C

D

E

F

A

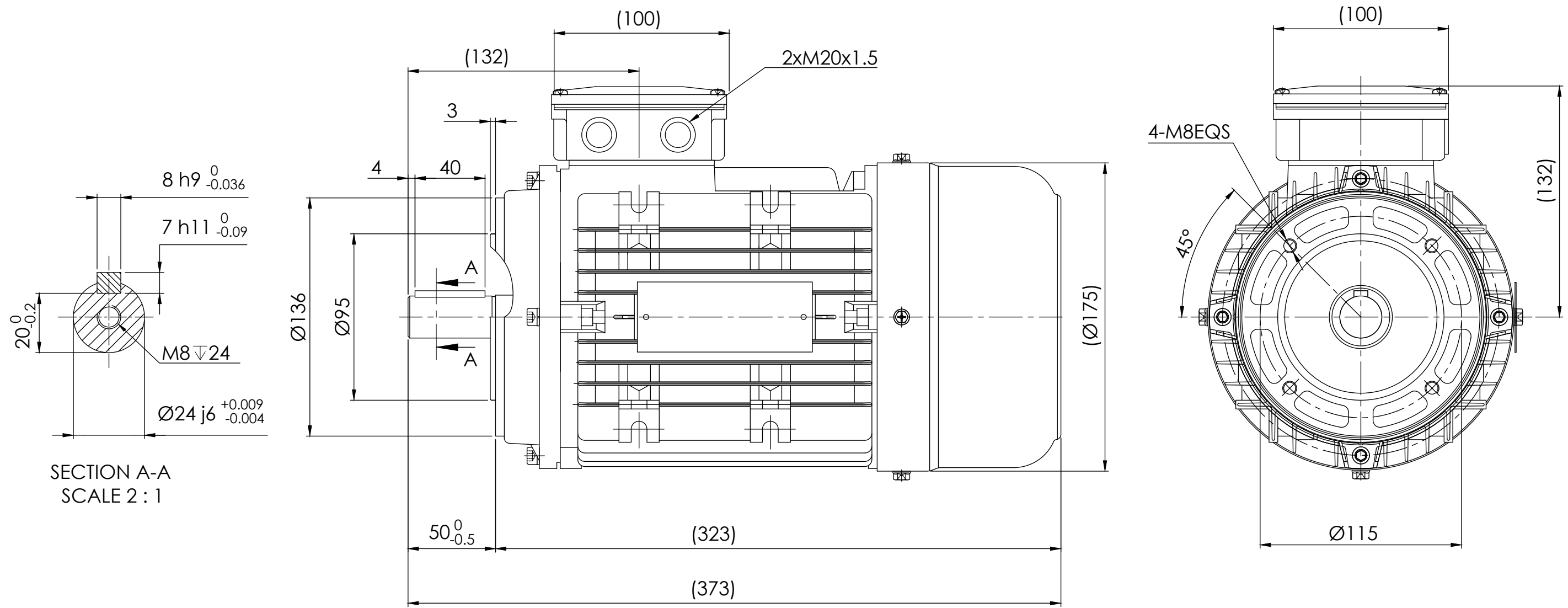
B

C

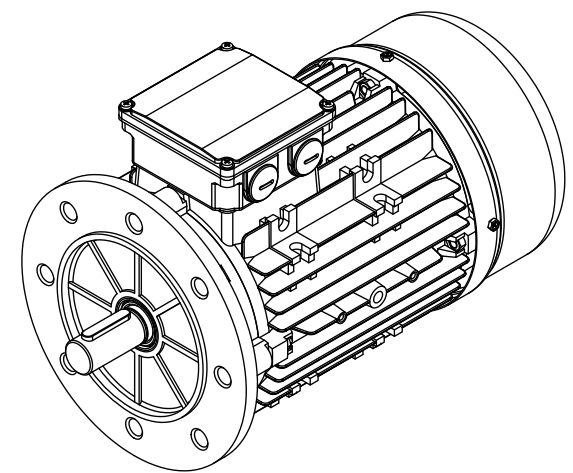
D

E

F




SECTION A-A
SCALE 2 : 1



Note:

- 1.All dimensions are in mm
- 2.Tolerances not informed on the drawing according to the mounting tolerance table.

Mounting tolerance		 <p>HOYER EXCEEDING EXPECTATIONS</p>	Hoyer Motors		DEBUR AND BREAK SHARP EDGES		DRAWING NOT IN SCALE		
Dimensions range	Tolerance		Over Hadstenevej 42, DK-8370 Hadsten				OUTLINE DRAWING		
0<D≤400	±10		Tel : +45 86982111				TITLE:		
400<D≤1000	±20		REV.	LOCATION	DESCRIPTION	DATE	RESP.	APPROVED	HMA4-90L-6p-B14
1000<D≤2000	±30		0	N/A	First issued	31/05/2024	L&T	Hoyer	
2000<D≤4000	±35								
4000<D≤8000	±40								
Unit: mm								DWG NO.:	A3
Representation of the machine is illustrative only		Protection: IEC 60034-5		Machined Part: ISO 2768		TD-ID-D2140			
Some features may not be represented		Dimension: IEC 60072		Weld Constr: ISO 8015		SCALE:1:1		SHEET 1 OF 1	
For installation or maintenance, consult operation manual		Tolerance: ISO 286		Castings: ISO 8062		Weight: 20 kg			
Key: IEC 60072									

