

1 2 3 4 5 6 7 8

A

B

C

D

E

F

A

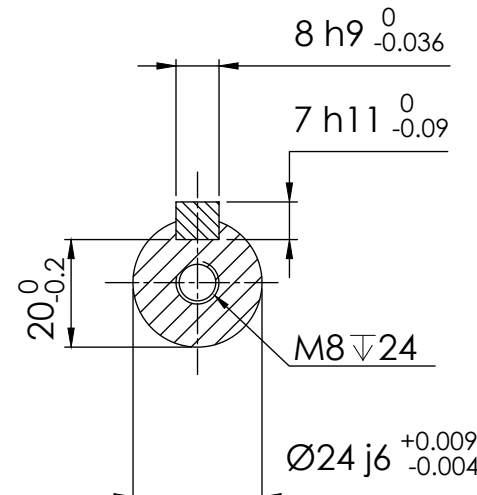
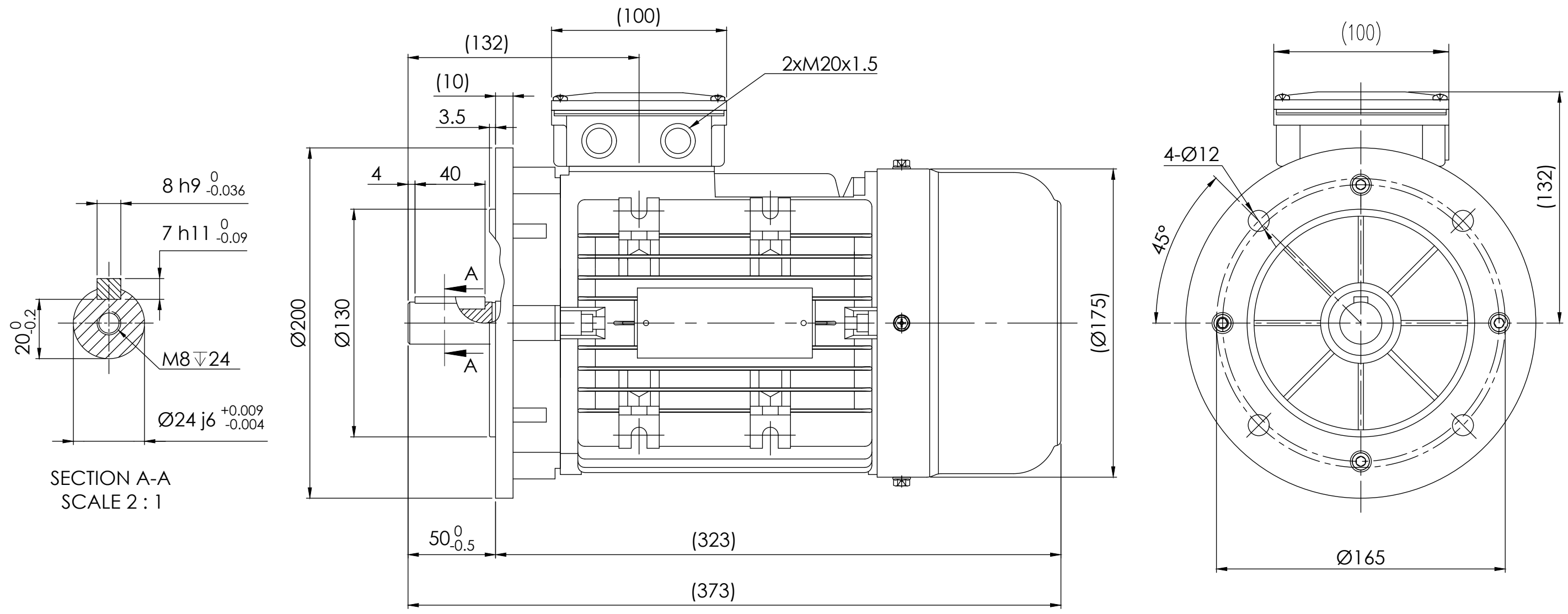
B

C

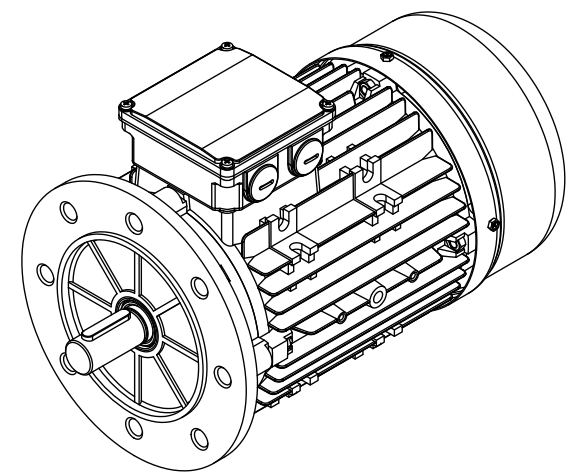
D

E



F



SECTION A-A
SCALE 2 : 1



Note:
 1. All dimensions are in mm
 2. Tolerances not informed on the drawing according to the mounting tolerance table.

Mounting tolerance		 <p>HOYER EXCEEDING EXPECTATIONS</p>	Hoyer Motors		DEBUR AND BREAK SHARP EDGES		DRAWING NOT IN SCALE		
Dimensions range	Tolerance		Over Hadstenvvej 42, DK-8370 Hadsten				OUTLINE DRAWING		
0<D≤400	±10		REV.	LOCATION	DESCRIPTION	DATE	RESP.	APPROVED	TITLE: HMA4-90L-4p-B5
400<D≤1000	±20		0	N/A	First issued	31/05/2024	L&T	Hoyer	
1000<D≤2000	±30								
2000<D≤4000	±35								
4000<D≤8000	±40								
Unit: mm									
 Representation of the machine is illustrative only Some features may not be represented For installation or maintenance, consult operation manual		Protection:		IEC 60034-5	Machined Part:		ISO 2768	DWG NO.: TD-ID-D1091	
		Dimension:		IEC 60072	Weld Constr:		ISO 8015		
		Tolerance:		ISO 286	Castings:		ISO 8062		
		Key:		IEC 60072				SCALE:1:1	
								Weight: 23 kg	
								SHEET 1 OF 1	