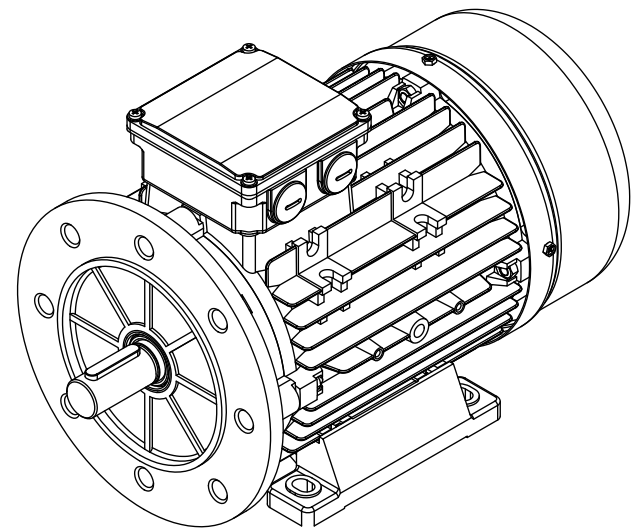




Note:
 1. All dimensions are in mm
 2. Tolerances not informed on the drawing according to the mounting tolerance table.



Mounting tolerance		 HOYER <small>EXCEEDING EXPECTATIONS</small>	Hoyer Motors		DEBUR AND BREAK SHARP EDGES		DRAWING NOT IN SCALE		
Dimensions range	Tolerance		Over Hadstenevej 42, DK-8370 Hadsten				OUTLINE DRAWING		
0 < D ≤ 400	±10		REV.	LOCATION	DESCRIPTION	DATE	RESP.	APPROVED	TITLE: HMA4-90L-2p-B35
400 < D ≤ 1000	±20		0	N/A	First issued	31/05/2024	L&T	Hoyer	
1000 < D ≤ 2000	±30								
2000 < D ≤ 4000	±35								
4000 < D ≤ 8000	±40								
Unit: mm									
 Representation of the machine is illustrative only Some features may not be represented For installation or maintenance, consult operation manual		Protection:	IEC 60034-5	Machined Part:	ISO 2768	DWG NO.:		TD-ID-D1089 A3	
		Dimension:	IEC 60072	Weld Constr:	ISO 8015	SCALE: 1:1			Weight: 21 kg
		Tolerance:	ISO 286	Castings:	ISO 8062	SHEET 1 OF 1			
		Key:	IEC 60072						