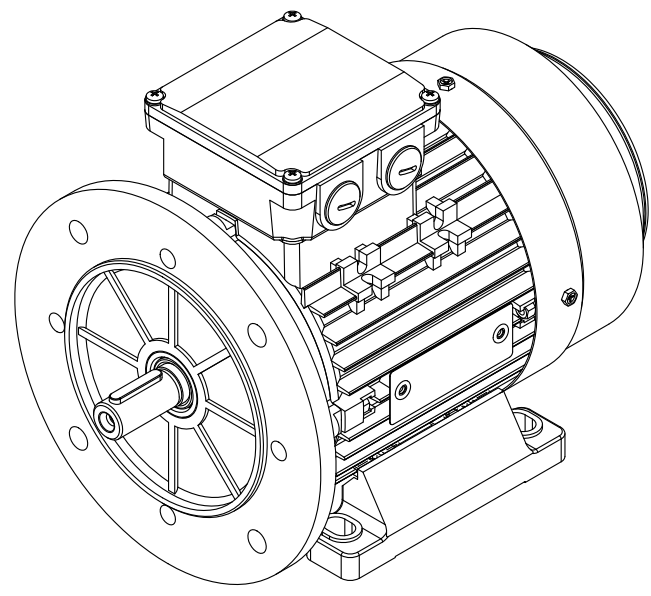




SECTION A-A
SCALE 2 : 1

Note:
 1.All dimensions are in mm
 2.Tolerances not informed on the drawing according to the mounting tolerance table.



Mounting tolerance		 HOYER <small>EXCEEDING EXPECTATIONS</small>	Hoyer Motors		DEBUR AND BREAK SHARP EDGES		DRAWING NOT IN SCALE				
Dimensions range	Tolerance		Over Hadstenvej 42, DK-8370 Hadsten				OUTLINE DRAWING				
0<D≤400	±10		Tel : +45 86982111				TITLE:				
400<D≤1000	±20		Fax: +45 86981779		REV.	LOCATION	DESCRIPTION	DATE	RESP.	APPROVED	HMA4-80 2-4p-B35
1000<D≤2000	±30		0	N/A	First issued	29/05/2024	L&T	Hoyer			
2000<D≤4000	±35										
4000<D≤8000	±40										
Unit: mm											
 Representation of the machine is illustrative only Some features may not be represented For installation or maintenance, consult operation manual		Protection:		IEC 60034-5	Machined Part:		ISO 2768	DWG NO.:		TD-ID-D1084 A3	
		Dimension:		IEC 60072	Weld Constr:		ISO 8015	SCALE:1:1			Weight: 15 kg SHEET 1 OF 1
		Tolerance:		ISO 286	Castings:		ISO 8062				
		Key:		IEC 60072							