

1

2

3

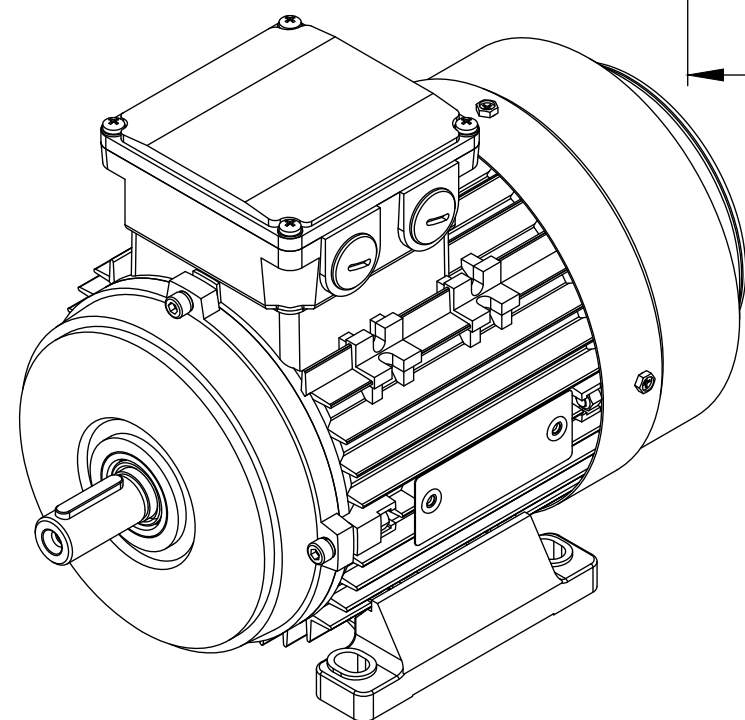
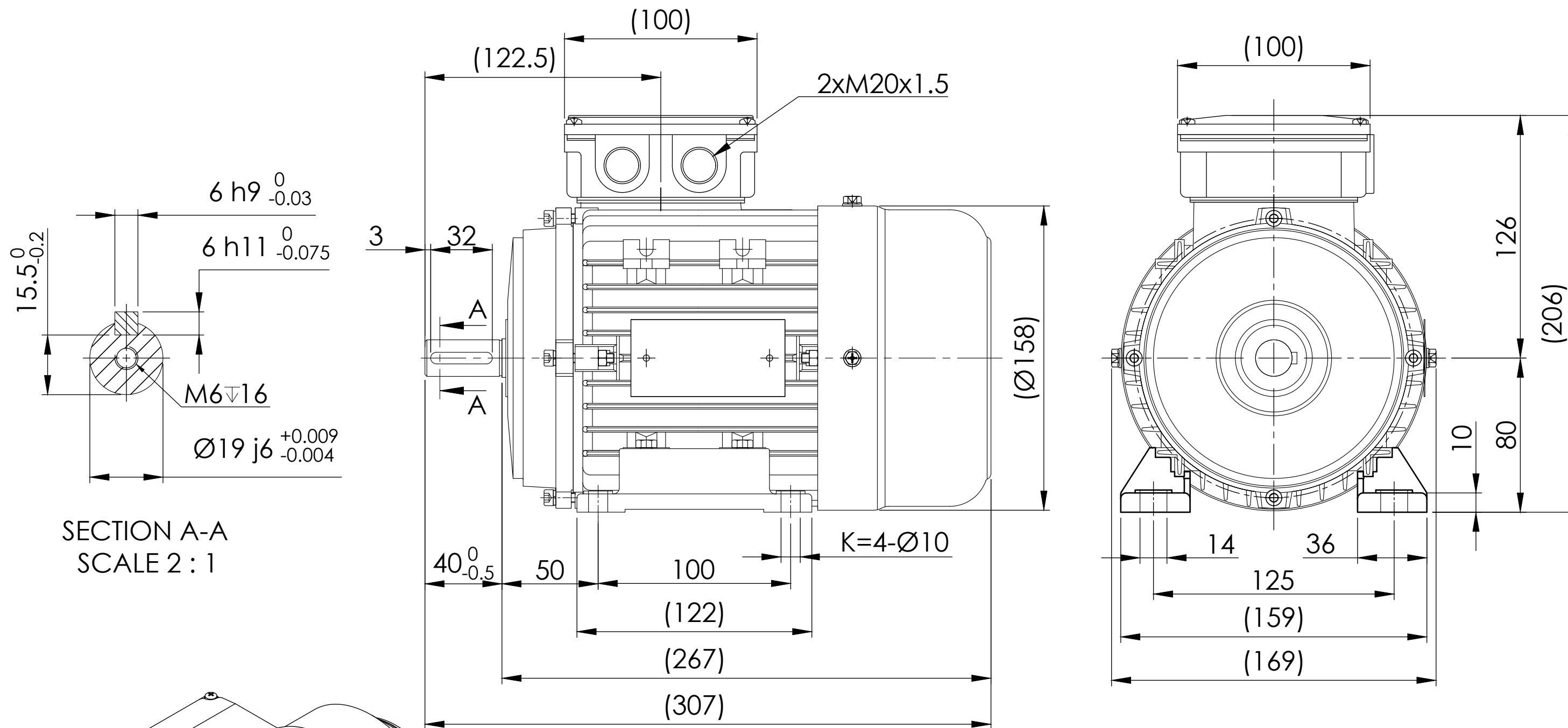
4

5

6



7

8



Note:

- All dimensions are in mm
- Tolerances not informed on the drawing according to the mounting tolerance table.

Mounting tolerance				Hoyer Motors			DEBUR AND BREAK SHARP EDGES		DRAWING NOT IN SCALE		
Dimensions range	Tolerance			REV.	LOCATION	DESCRIPTION	DATE	RESP.	APPROVED	OUTLINE DRAWING	
0<D≤400	±10	0	N/A	First issued	27/05/2024	L&T	Hoyer	TITLE: HMA4-80 2-4p-B3			
400<D≤1000	±20							DWG NO.: TD-ID-D1080			
1000<D≤2000	±30							A3			
2000<D≤4000	±35							SCALE:1:1			
4000<D≤8000	±40							Weight: 15 kg			
Unit: mm								SHEET 1 OF 1			
 Representation of the machine is illustrative only Some features may not be represented For installation or maintenance, consult operation manual				Protection: IEC 60034-5		Machined Part: ISO 2768		DWG NO.: TD-ID-D1080 Weight: 15 kg SHEET 1 OF 1			
				Dimension: IEC 60072		Weld Constr: ISO 8015					
				Tolerance: ISO 286		Castings: ISO 8062					
				Key: IEC 60072							