

1

2

3

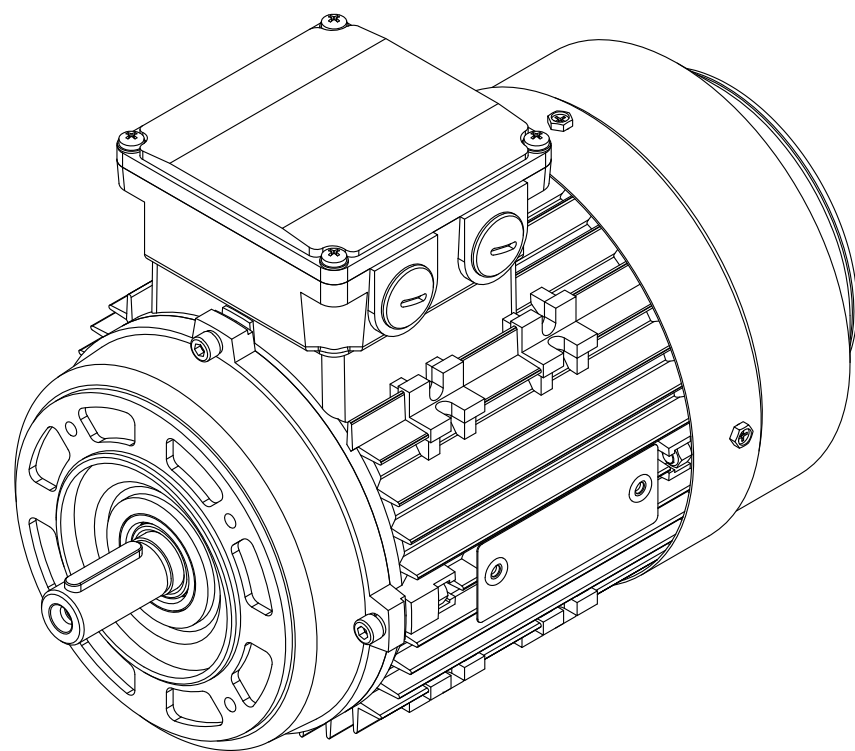
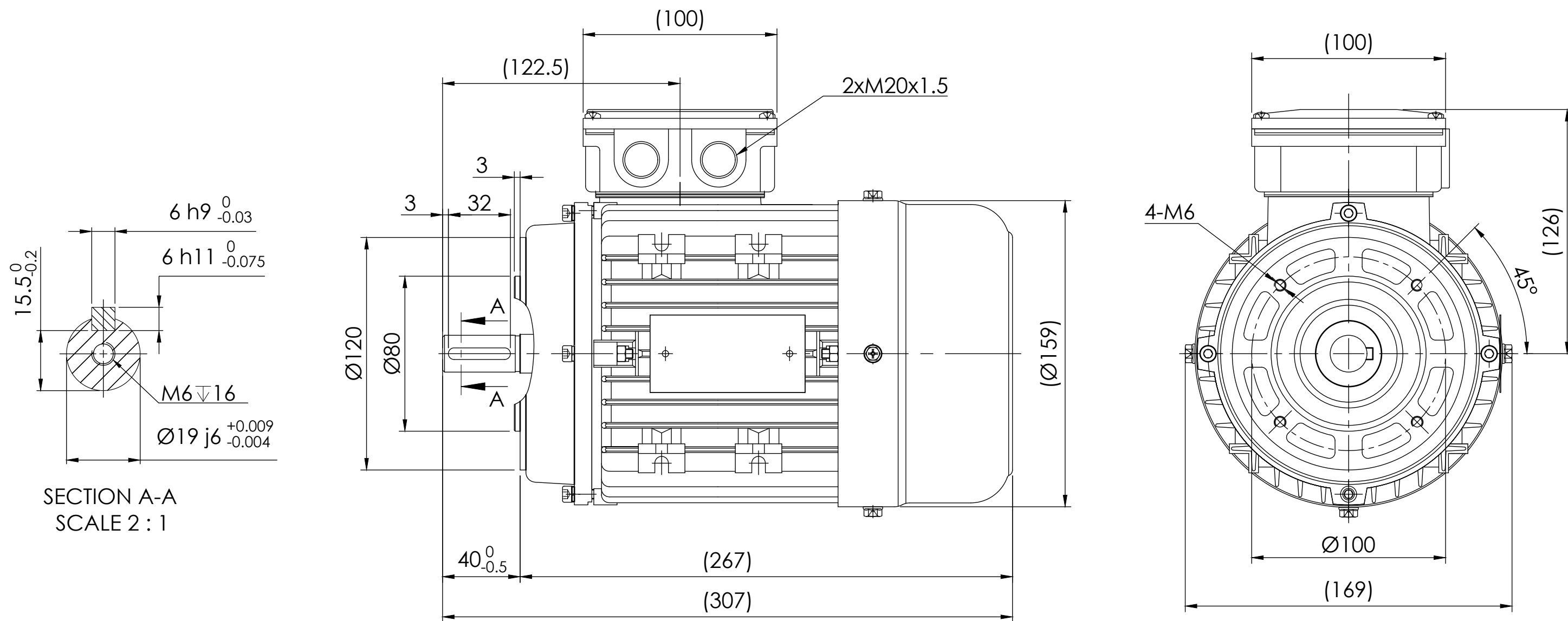
4

5

6

7

8



**Note:**

1. All dimensions are in mm

2. Tolerances not informed on the drawing according to the mounting tolerance table.

Mounting tolerance		<b>HOYER</b> EXCEEDING EXPECTATIONS		Hoyer Motors Over Hadstenevej 42, DK-8370 Hadsten Tel : +45 86982111 Fax: +45 86981779 www.hoyermotors.com			DEBUR AND BREAK SHARP EDGES	DRAWING NOT IN SCALE	
Dimensions range	Tolerance	REV.	LOCATION	DESCRIPTION	DATE	RESP.	APPROVED	OUTLINE DRAWING	
0<D≤400	±10	0	N/A	First issued	28/05/2024	L&T	Hoyer	TITLE: HMA4-80 2-4p-B14	
400<D≤1000	±20							DWG NO.: TD-ID-D1082	
1000<D≤2000	±30							A3	
2000<D≤4000	±35							SCALE:1:1	
4000<D≤8000	±40							Weight: 15 kg	
Unit: mm								SHEET 1 OF 1	
Representation of the machine is illustrative only Some features may not be represented For installation or maintenance, consult operation manual				Protection:	IEC 60034-5	Machined Part:	ISO 2768	DWG NO.:	
				Dimension:	IEC 60072	Weld Constr:	ISO 8015		
				Tolerance:	ISO 286	Castings:	ISO 8062		
				Key:	IEC 60072				