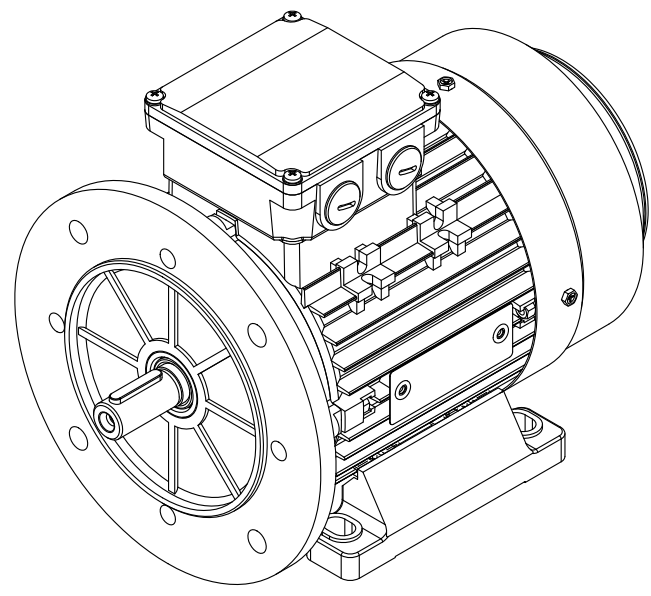




SECTION A-A  
SCALE 2 : 1

Note:  
 1. All dimensions are in mm  
 2. Tolerances not informed on the drawing according to the mounting tolerance table.



Mounting tolerance		 <b>HOYER</b> <small>EXCEEDING EXPECTATIONS</small>	Hoyer Motors		DEBUR AND BREAK SHARP EDGES		DRAWING NOT IN SCALE		
Dimensions range	Tolerance		Over Hadstenvvej 42, DK-8370 Hadsten				OUTLINE DRAWING		
0<D≤400	±10		REV.	LOCATION	DESCRIPTION	DATE	RESP.	APPROVED	TITLE: <b>HMA4-80 1-2p-B35</b>
400<D≤1000	±20		0	N/A	First issued	29/05/2024	L&T	Hoyer	
1000<D≤2000	±30								
2000<D≤4000	±35								
4000<D≤8000	±40								
Unit: mm									
 Representation of the machine is illustrative only Some features may not be represented For installation or maintenance, consult operation manual		Protection:	IEC 60034-5	Machined Part:	ISO 2768	DWG NO.:		<b>TD-ID-D1079</b> A3	
		Dimension:	IEC 60072	Weld Constr:	ISO 8015	SCALE:1:1			Weight: 11 kg
		Tolerance:	ISO 286	Castings:	ISO 8062	SHEET 1 OF 1			
		Key:	IEC 60072						