

1

2

3

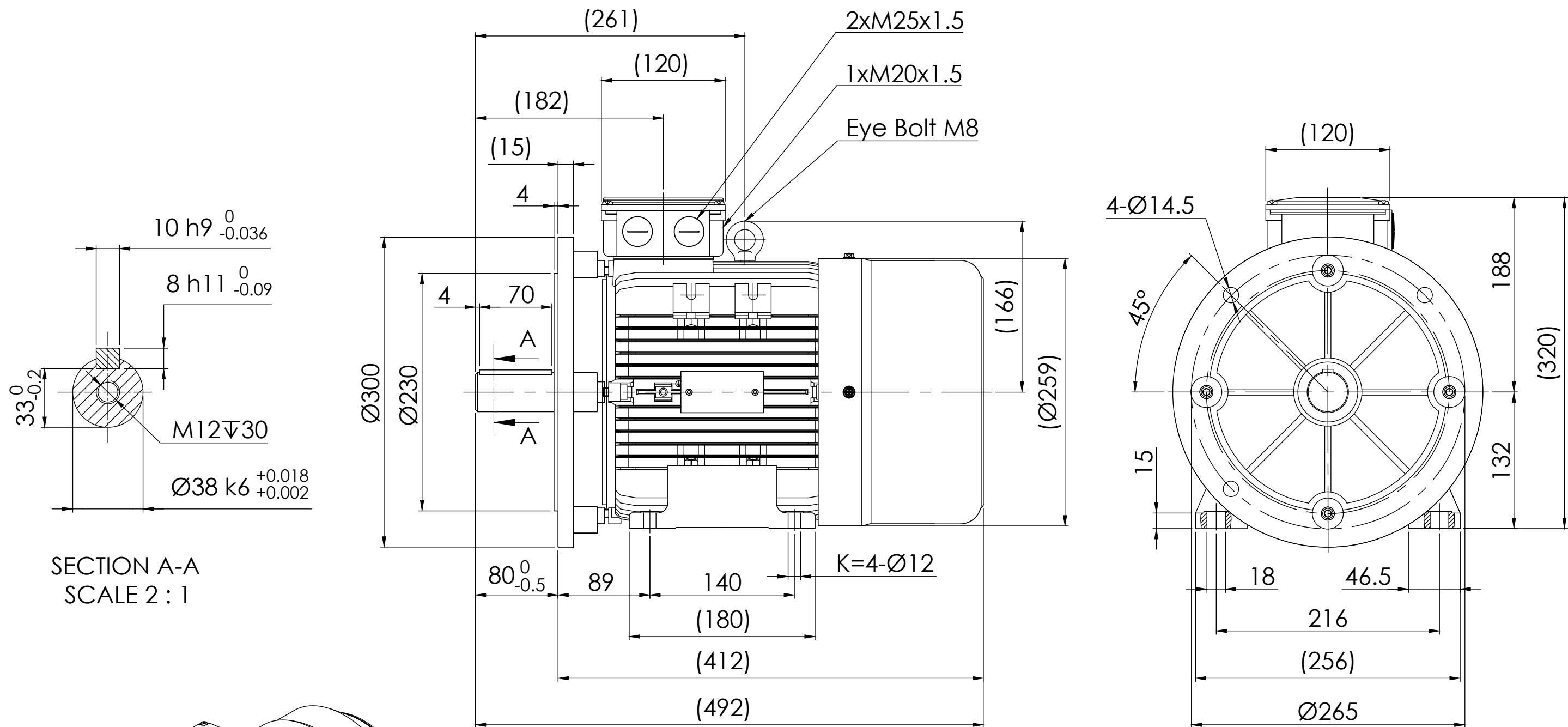
4

5

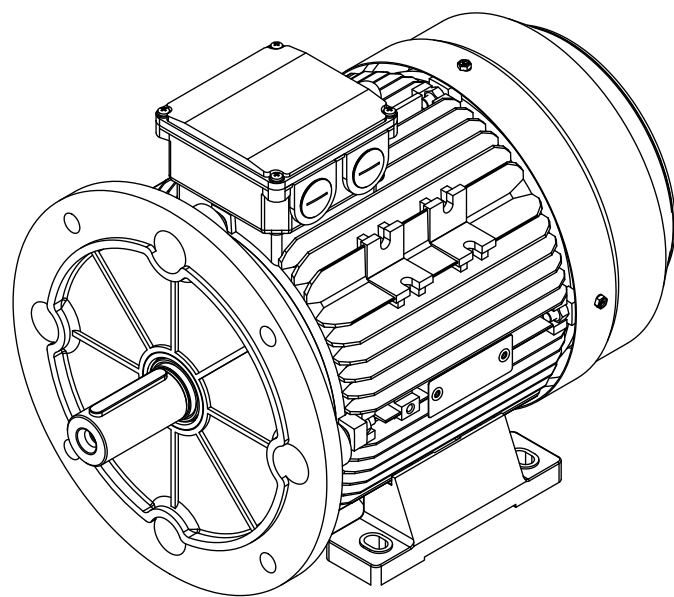
6

7

8





SECTION A-A
SCALE 2 : 1



Note:

1. All dimensions are in mm
2. Tolerances not informed on the drawing according to the mounting tolerance table.

Mounting tolerance		 <small>EXCEEDING EXPECTATIONS</small>		Hoyer Motors			DEBUR AND BREAK SHARP EDGES		DRAWING NOT IN SCALE		
Dimensions range	Tolerance			REV.	LOCATION	DESCRIPTION	DATE	RESP.	APPROVED	OUTLINE DRAWING	
0<D≤400	±10	0	N/A	First issued	13/06/2024	L&T	Hoyer	TITLE: HMA4-132S2-2p-B35			
400<D≤1000	±20							DWG NO.: TD-ID-D1158			
1000<D≤2000	±30							A3			
2000<D≤4000	±35							SCALE:1:1			
4000<D≤8000	±40							Weight: 64 kg			
Unit: mm								SHEET 1 OF 1			
 Representation of the machine is illustrative only Some features may not be represented For installation or maintenance, consult operation manual				Protection:		IEC 60034-5	Machined Part:		ISO 2768		
				Dimension:		IEC 60072	Weld Constr:		ISO 8015		
				Tolerance:		ISO 286	Castings:		ISO 8062		
				Key:		IEC 60072					