

1

2

3

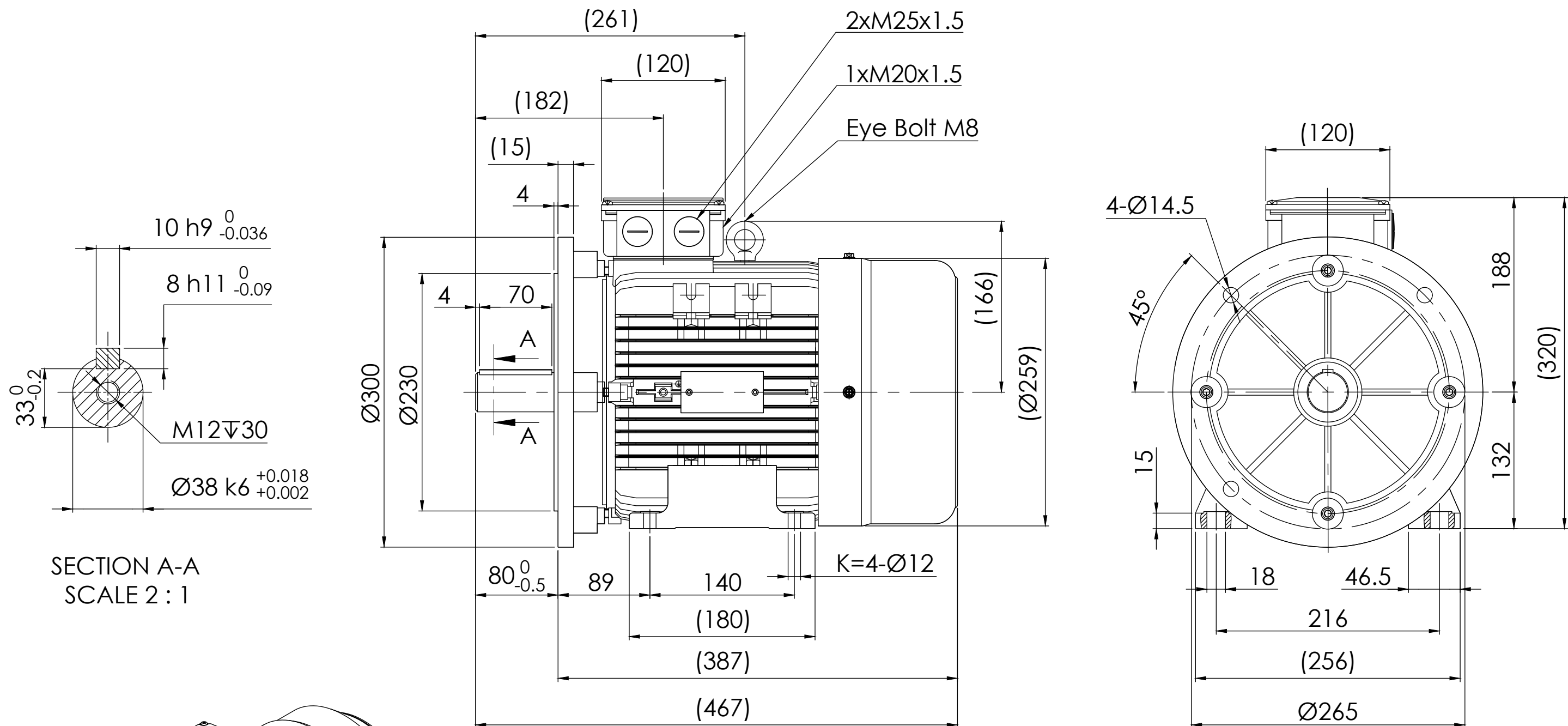
4

5

6

7

8



Note:

1. All dimensions are in mm

2. Tolerances not informed on the drawing according to the mounting tolerance table.

Mounting tolerance		<b>HOYER</b> EXCEEDING EXPECTATIONS		Hoyer Motors			DEBUR AND BREAK SHARP EDGES		DRAWING NOT IN SCALE		
Dimensions range	Tolerance			REV.	LOCATION	DESCRIPTION	DATE	RESP.	APPROVED	OUTLINE DRAWING	
0<D≤400	±10	0	N/A	First issued	13/06/2024	L&T	Hoyer	TITLE: HMA4-132S1-2p-B35			
400<D≤1000	±20							DWG NO.: TD-ID-D1153			
1000<D≤2000	±30							A3			
2000<D≤4000	±35							SCALE:1:1			
4000<D≤8000	±40							Weight: 54 kg			
Unit: mm								SHEET 1 OF 1			
Representation of the machine is illustrative only Some features may not be represented For installation or maintenance, consult operation manual				Protection:		IEC 60034-5		Machined Part:		ISO 2768	
				Dimension:		IEC 60072		Weld Constr:		ISO 8015	
				Tolerance:		ISO 286		Castings:		ISO 8062	
				Key:		IEC 60072					