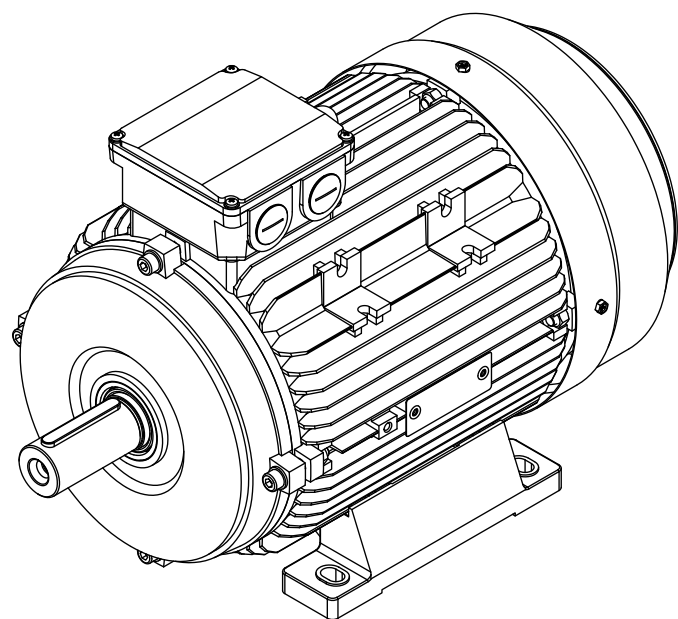
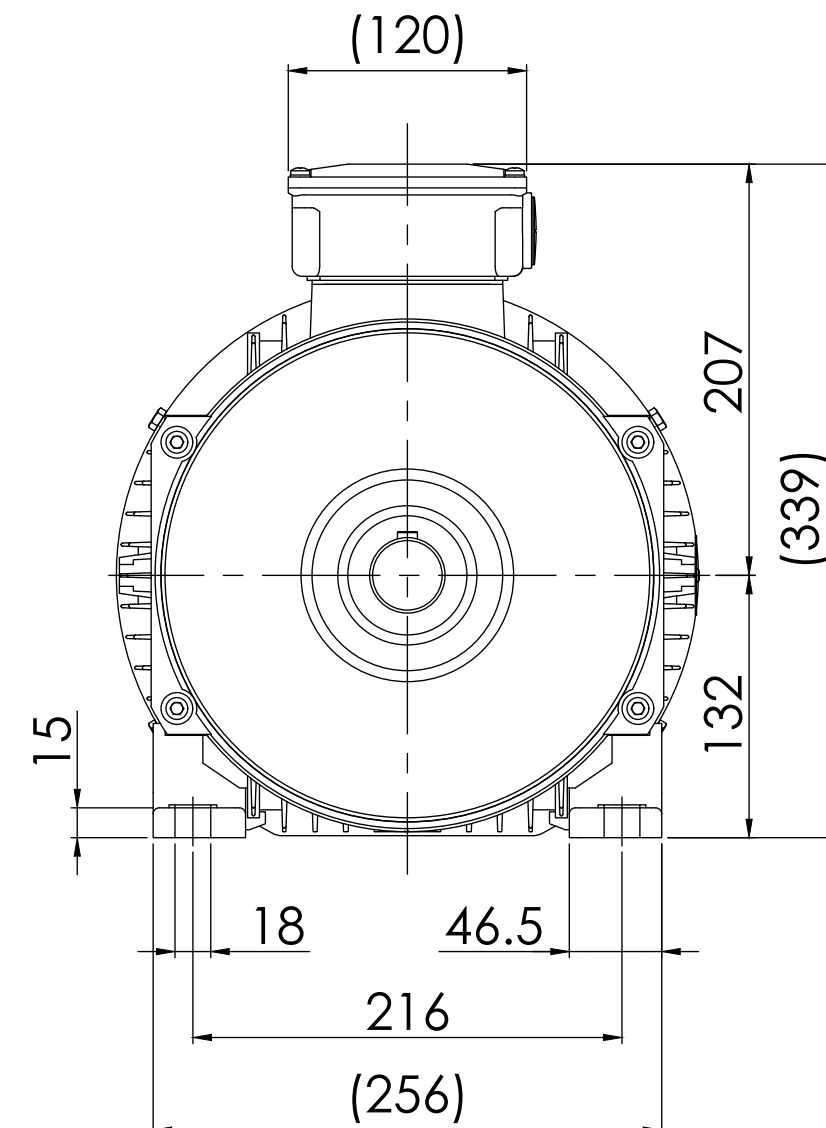
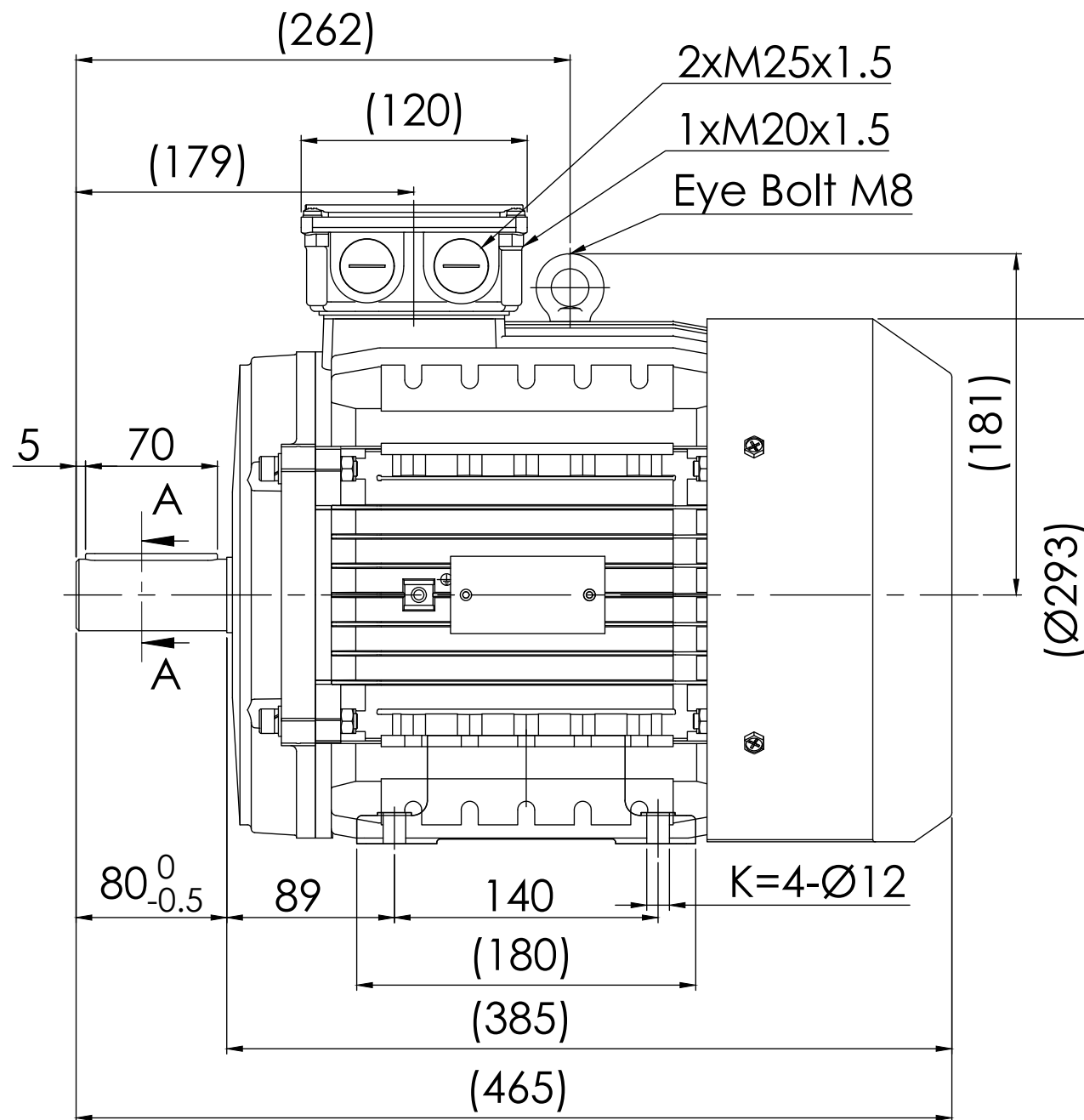



SECTION A-A
SCALE 2 : 1



Note:

- 1.All dimensions are in mm
- 2.Tolerances not informed on the drawing according to the mounting tolerance table.

Mounting tolerance				Hoyer Motors			DEBUR AND BREAK SHARP EDGES		DRAWING NOT IN SCALE	
Dimensions range	Tolerance			Over Hadstenevej 42, DK-8370 Hadsten Tel : +45 86982111 Fax: +45 86981779 www.hoyermotors.com					OUTLINE DRAWING	
0<D≤400	±10	REV.	LOCATION	DESCRIPTION	DATE	RESP.	APPROVED	TITLE: HMA4-132S-6p-B3		
400<D≤1000	±20	0	N/A	First issued	10/06/2024	L&T	Hoyer			
1000<D≤2000	±30									
2000<D≤4000	±35									
4000<D≤8000	±40							DWG NO.: TD-ID-D1138 A3		
Unit: mm		Representation of the machine is illustrative only		Protection: IEC 60034-5		Machined Part: ISO 2768		SCALE:1:3		
		Some features may not be represented		Dimension: IEC 60072		Weld Constr: ISO 8015		Weight: 61 kg		
		For installation or maintenance, consult operation manual		Tolerance: ISO 286		Castings: ISO 8062		SHEET 1 OF 1		
		Key: IEC 60072								