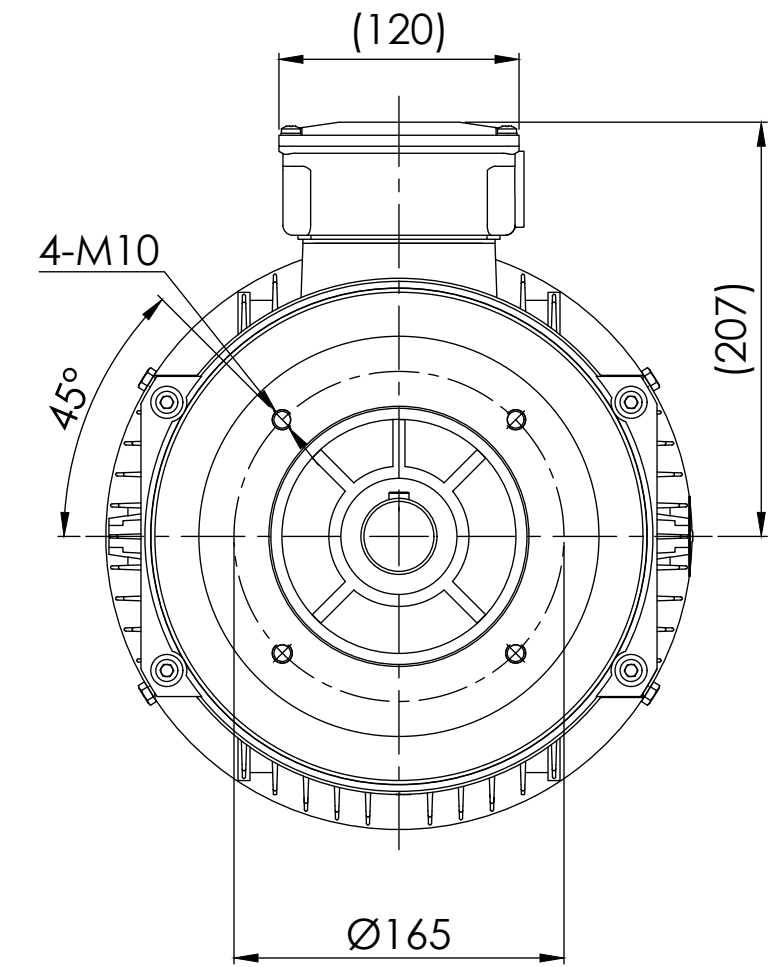
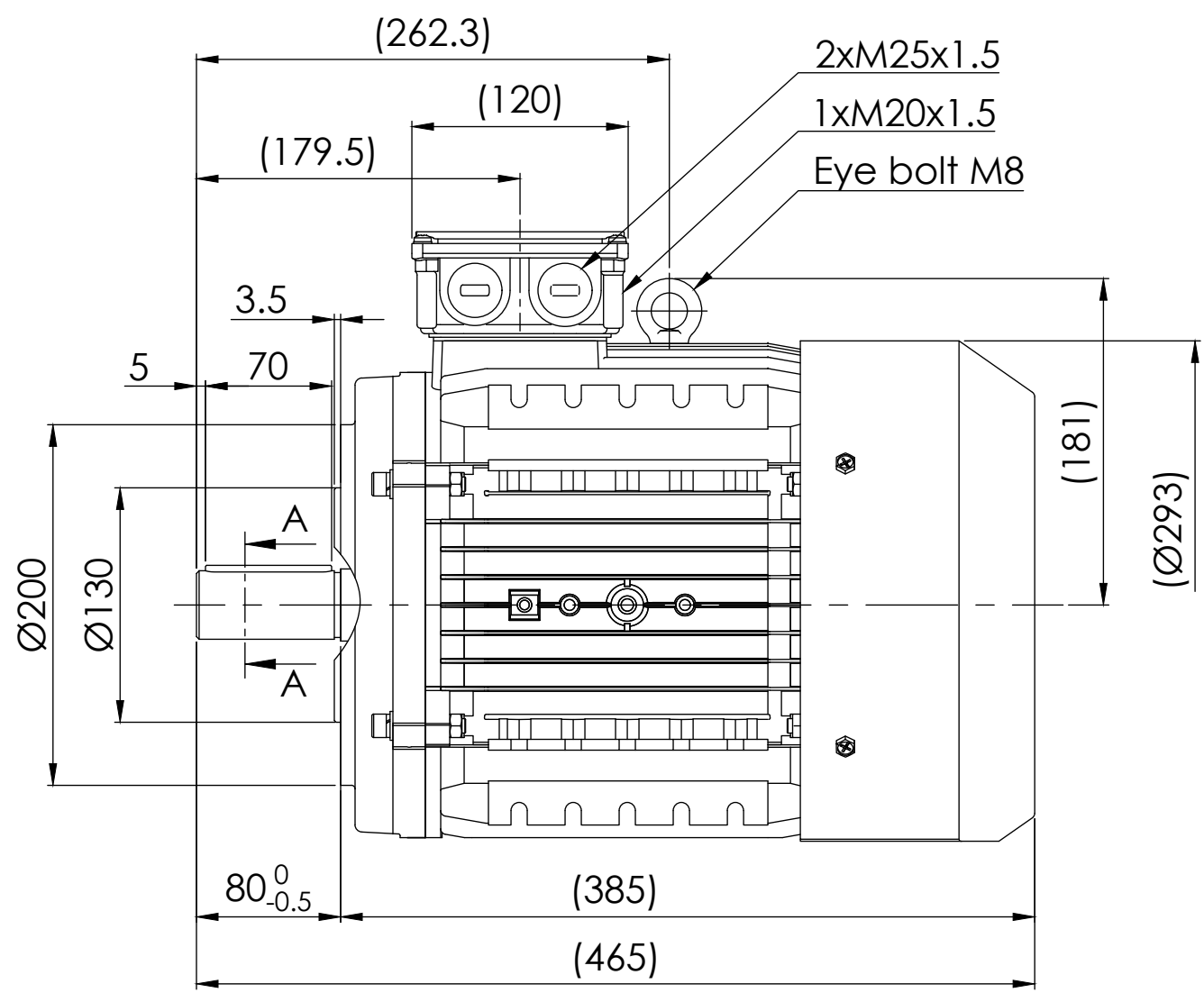
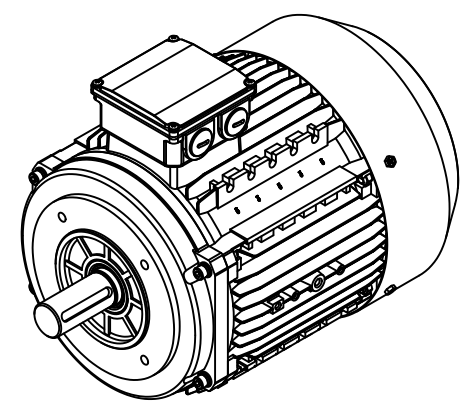




SECTION A-A
SCALE 2 : 1



Note:

- 1.All dimensions are in mm
- 2.Tolerances not informed on the drawing according to the mounting tolerance table.



Mounting tolerance			Hoyer Motors				DEBUR AND BREAK SHARP EDGES	DRAWING NOT IN SCALE		
Dimensions range	Tolerance		Over Hadstenevej 42, DK-8370 Hadsten Tel : +45 86982111 Fax: +45 86981779 www.hoyermotors.com					OUTLINE DRAWING		
0<D≤400	±10	REV.	LOCATION	DESCRIPTION	DATE	RESP.	APPROVED	TITLE: HMA4-132S-6p-B14		
400<D≤1000	±20	0	N/A	First issued	10/06/2024	L&T	Hoyer			
1000<D≤2000	±30									
2000<D≤4000	±35									
4000<D≤8000	±40									
Unit: mm										
 Representation of the machine is illustrative only Some features may not be represented For installation or maintenance, consult operation manual				Protection:	IEC 60034-5	Machined Part:	ISO 2768	DWG NO.: TD-ID-D2169	A3	
				Dimension:	IEC 60072	Weld Constr:	ISO 8015			
				Tolerance:	ISO 286	Castings:	ISO 8062			
				Key:	IEC 60072			SCALE:1:1	Weight: 61 kg	SHEET 1 OF 1