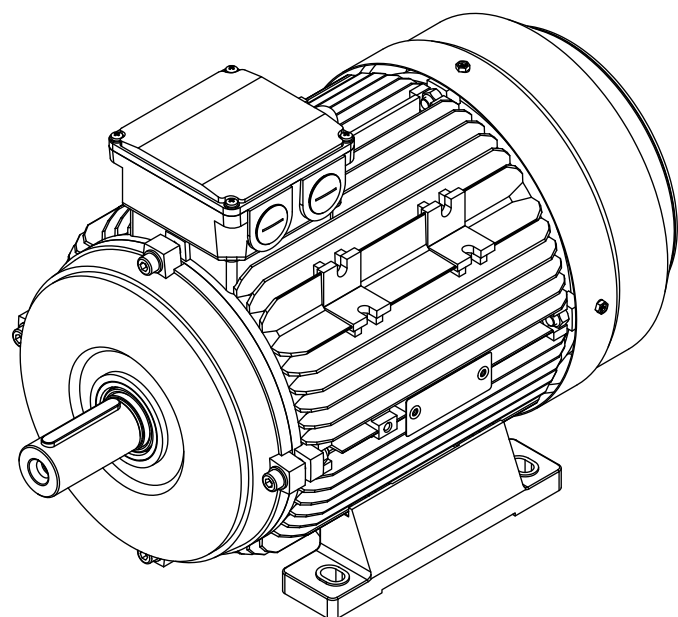
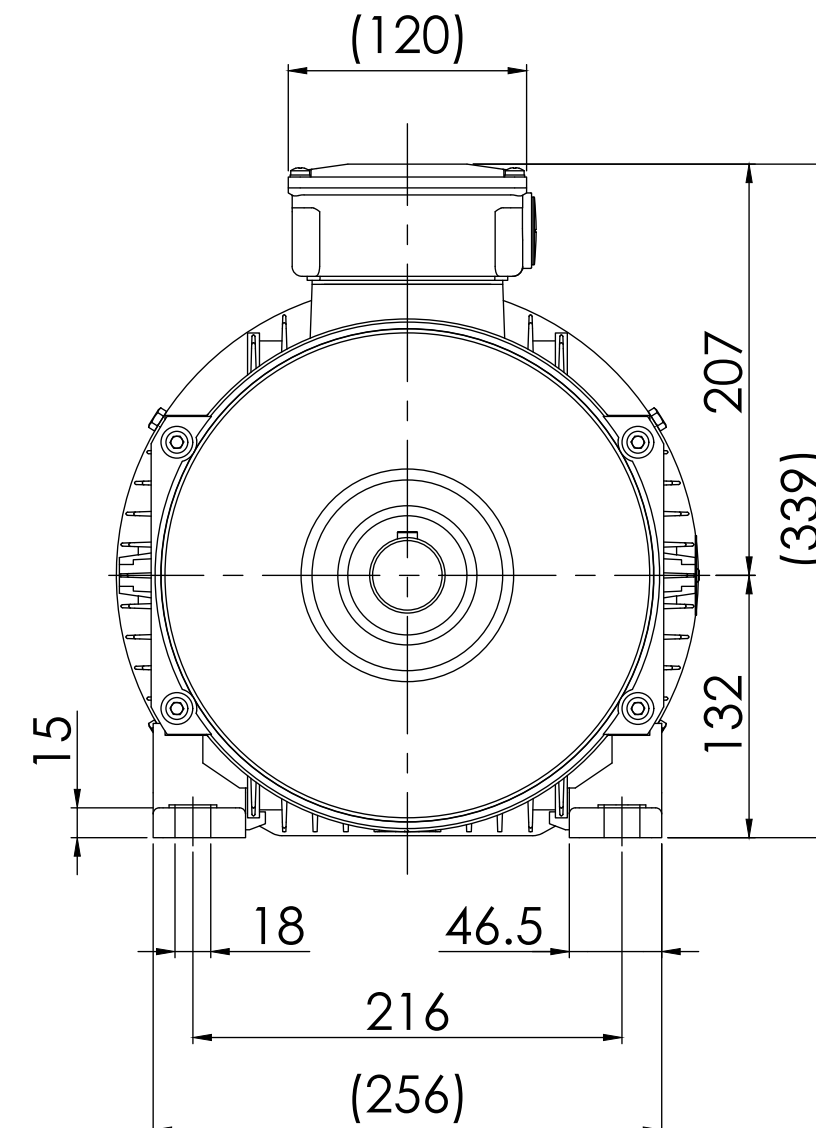
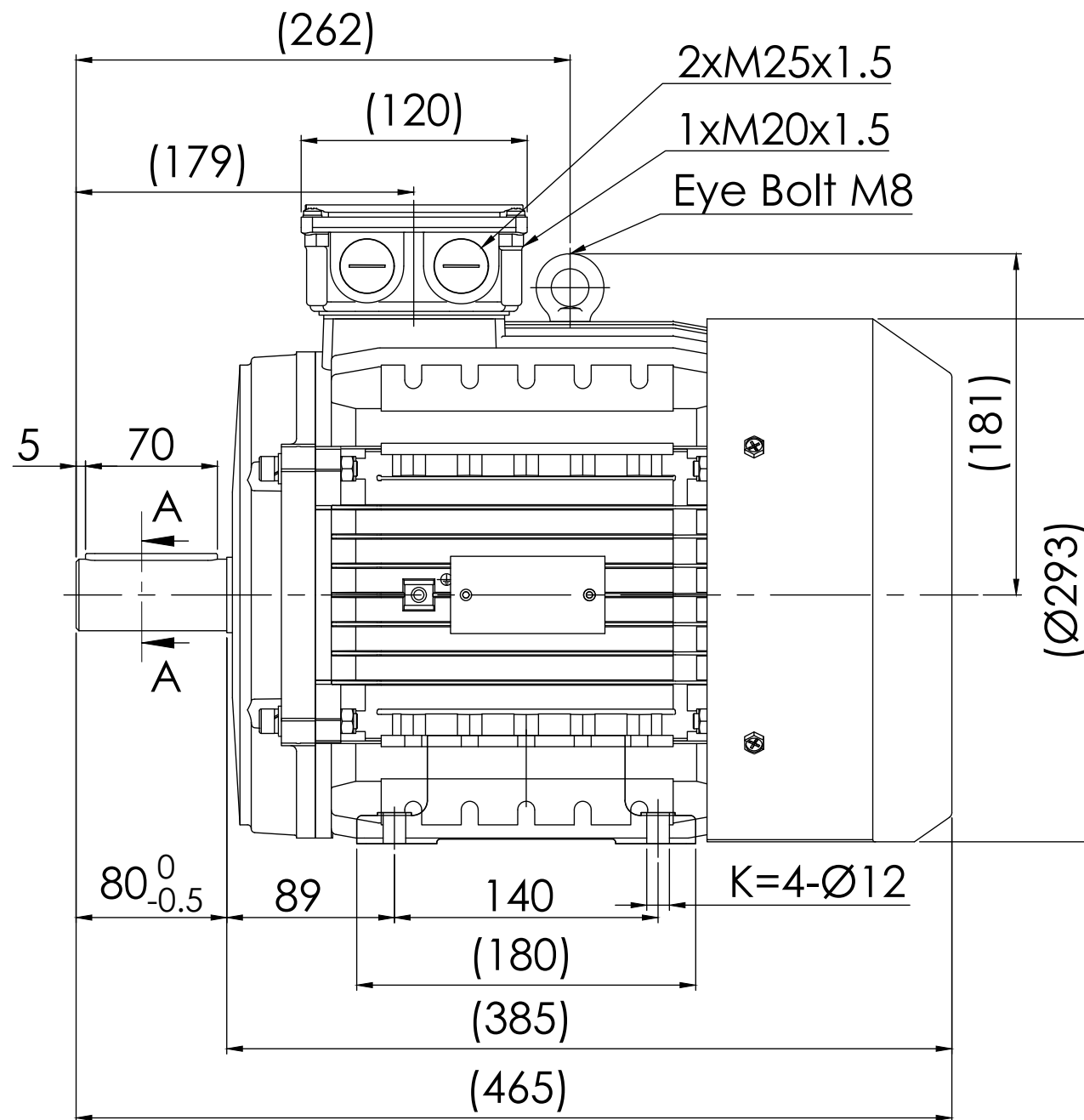




SECTION A-A
SCALE 2 : 1



Note:

- All dimensions are in mm
- Tolerances not informed on the drawing according to the mounting tolerance table.

Mounting tolerance		 EXCEEDING EXPECTATIONS	Hoyer Motors Over Hadstenevej 42, DK-8370 Hadsten Tel : +45 86982111 Fax: +45 86981779 www.hoyermotors.com				DEBUR AND BREAK SHARP EDGES	DRAWING NOT IN SCALE	
Dimensions range	Tolerance		REV.	LOCATION	DESCRIPTION	DATE	RESP.	APPROVED	OUTLINE DRAWING
0<D≤400	±10		0	N/A	First issued	10/06/2024	L&T	Hoyer	TITLE: HMA4-132S-4p-B3
400<D≤1000	±20								DWG NO.: TD-ID-D1138
1000<D≤2000	±30								A3
2000<D≤4000	±35							SCALE:1:3	
4000<D≤8000	±40							Weight: 63 kg	
Unit: mm								SHEET 1 OF 1	
 Representation of the machine is illustrative only Some features may not be represented For installation or maintenance, consult operation manual			Protection:	IEC 60034-5	Machined Part:	ISO 2768			
			Dimension:	IEC 60072	Weld Constr:	ISO 8015			
			Tolerance:	ISO 286	Castings:	ISO 8062			
			Key:	IEC 60072					