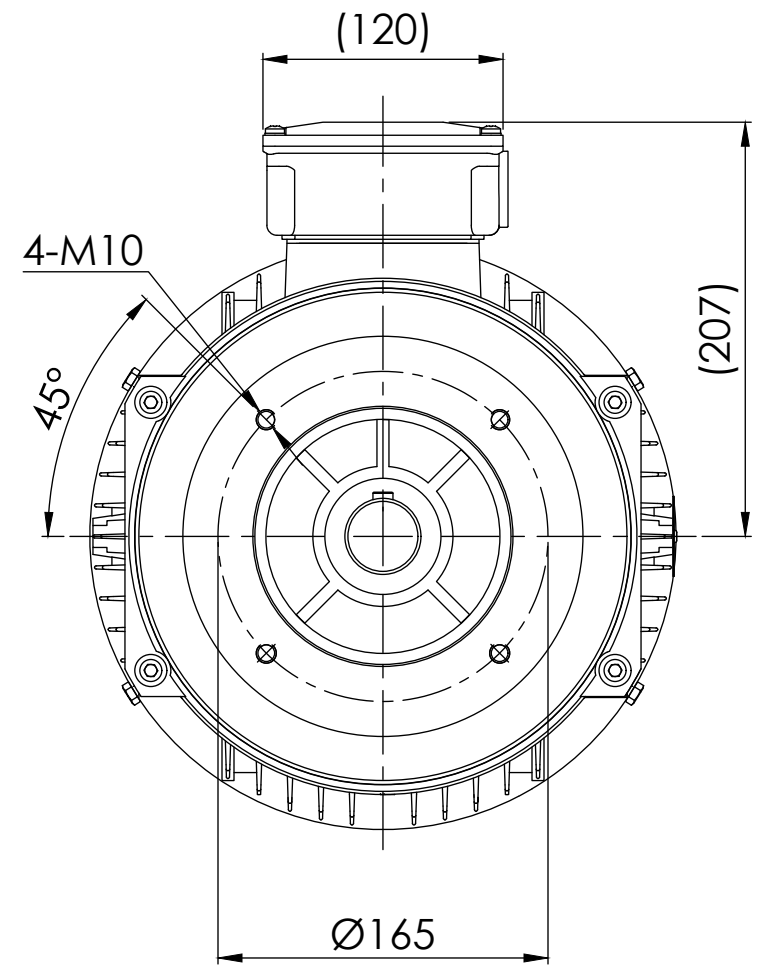
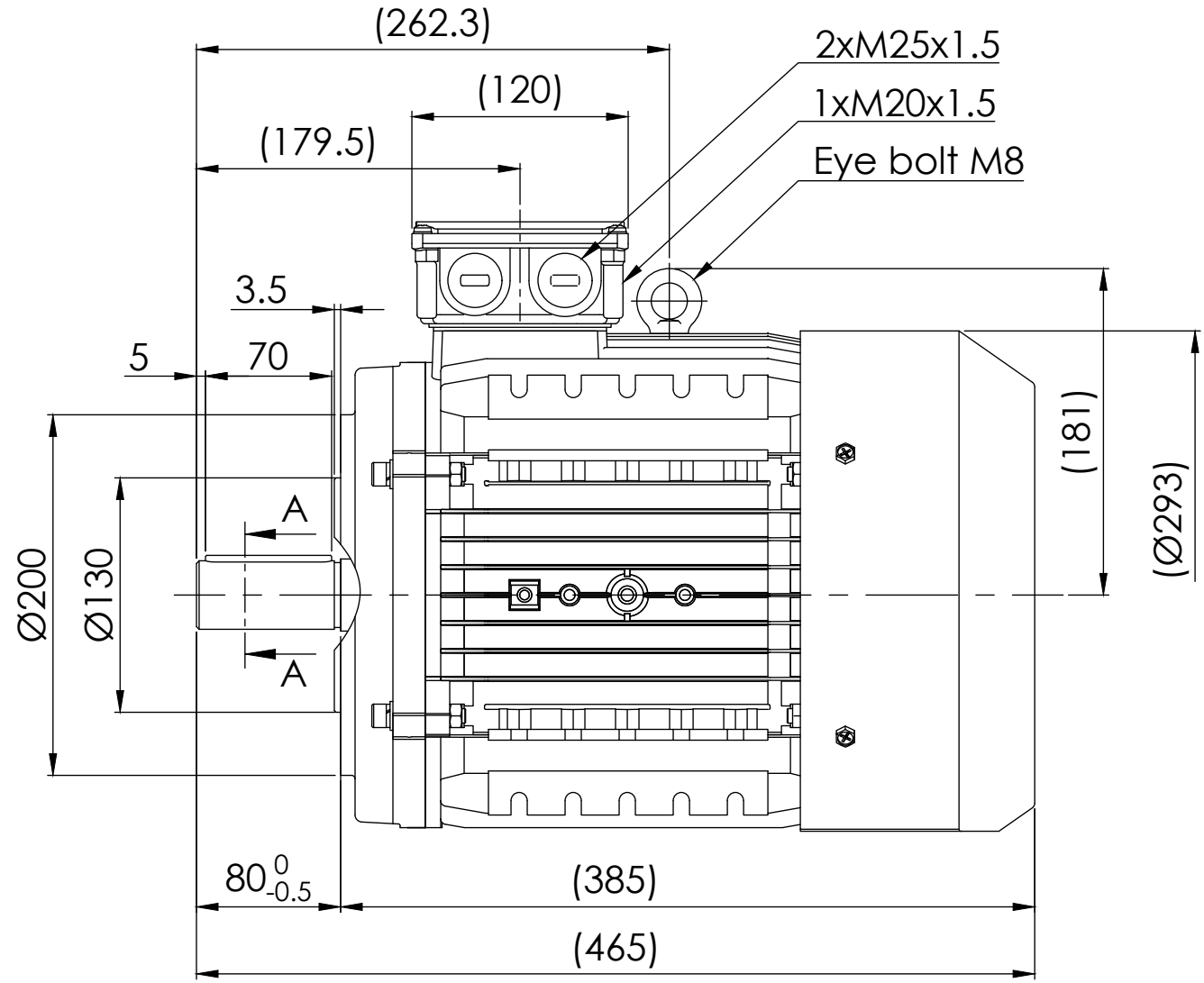
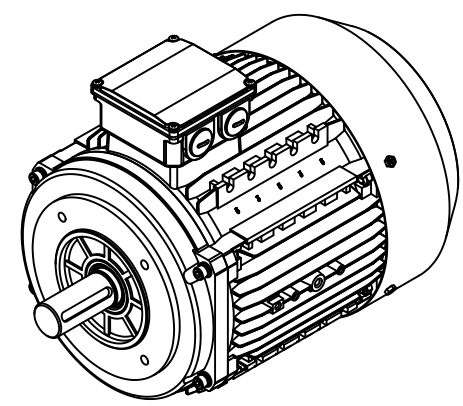


SECTION A-A  
SCALE 2 : 1



Note:  
 1. All dimensions are in mm  
 2. Tolerances not informed on the drawing according to the mounting tolerance table.



Mounting tolerance		<b>HOYER</b> EXCEEDING EXPECTATIONS	Hoyer Motors				DEBUR AND BREAK SHARP EDGES	DRAWING NOT IN SCALE	
Dimensions range	Tolerance		Over Hadstenevej 42, DK-8370 Hadsten Tel : +45 86982111 Fax: +45 86981779 www.hoyermotors.com					OUTLINE DRAWING	
0<D≤400	±10	REV.	LOCATION	DESCRIPTION	DATE	RESP.	APPROVED	TITLE: <b>HMA4-132S-4p-B14</b>	
400<D≤1000	±20	0	N/A	First issued	10/06/2024	L&T	Hoyer		
1000<D≤2000	±30								
2000<D≤4000	±35								
4000<D≤8000	±40								
Unit: mm									
Representation of the machine is illustrative only Some features may not be represented For installation or maintenance, consult operation manual		Protection:	IEC 60034-5	Machined Part:	ISO 2768	DWG NO.:		A3	
		Dimension:	IEC 60072	Weld Constr:	ISO 8015	TD-ID-D1140			
		Tolerance:	ISO 286	Castings:	ISO 8062	SCALE:1:1			
		Key:	IEC 60072			Weight: 63 kg		SHEET 1 OF 1	