

A

B

C

D

E

F

A

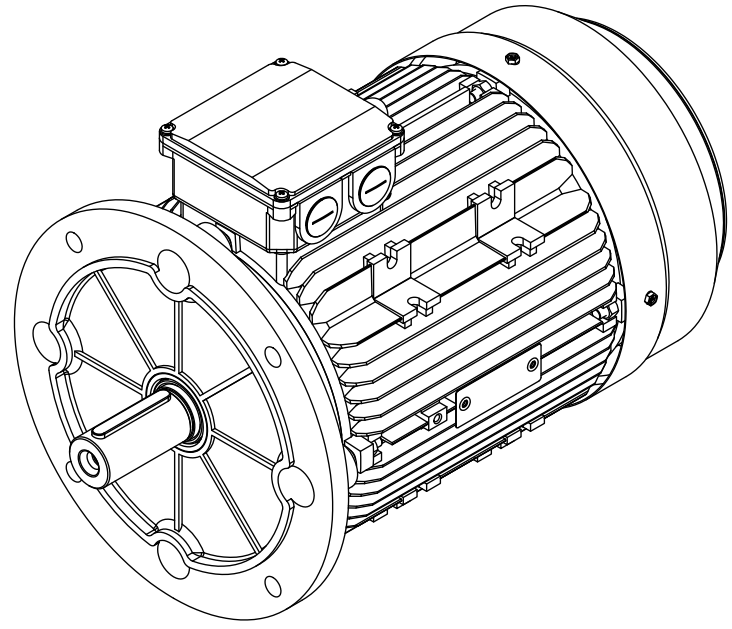
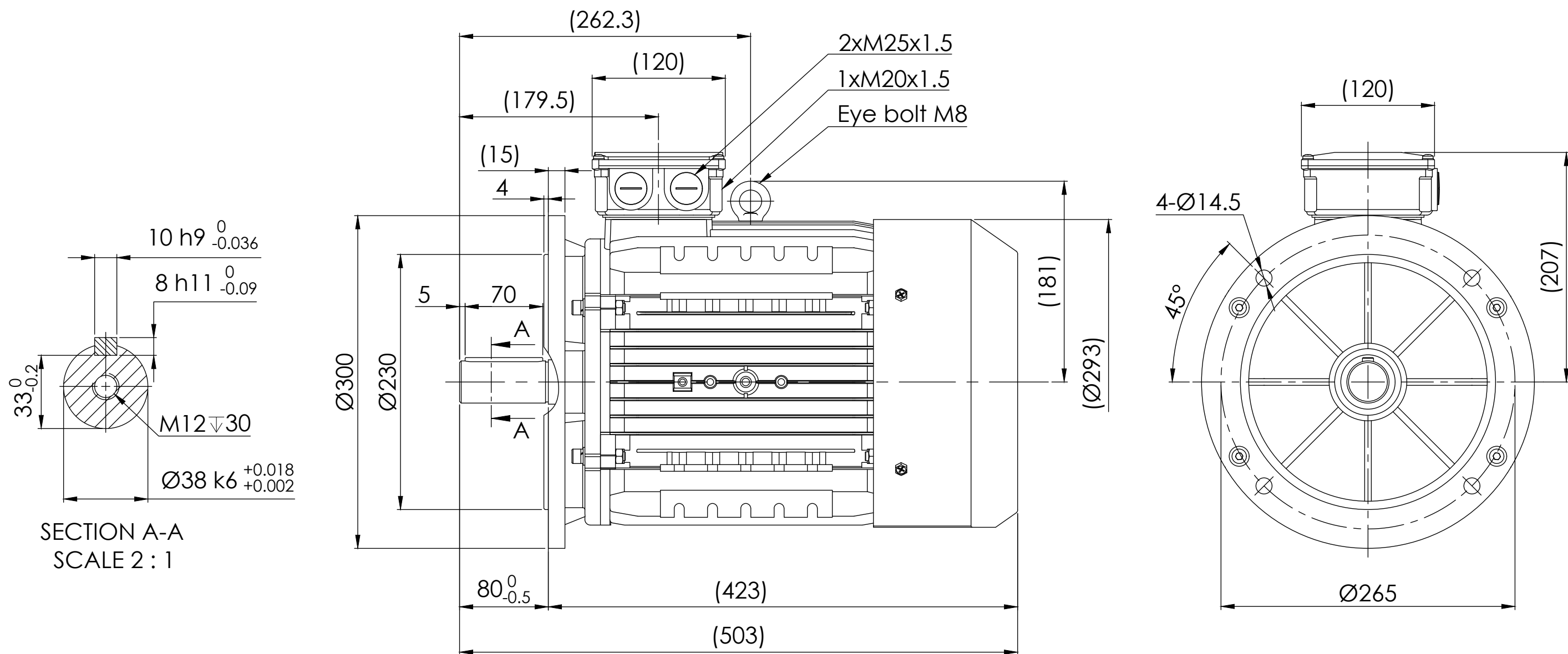
B

C



D

E

F



Note:
 1. All dimensions are in mm
 2. Tolerances not informed on the drawing according to the mounting tolerance table.

Mounting tolerance		 <p>HOYER EXCEEDING EXPECTATIONS</p>	Hoyer Motors Over Hadstenevej 42, DK-8370 Hadsten Tel : +45 86982111 Fax: +45 86981779 www.hoyermotors.com				DEBUR AND BREAK SHARP EDGES	DRAWING NOT IN SCALE		
Dimensions range	Tolerance		REV.	LOCATION	DESCRIPTION	DATE	RESP.	APPROVED	OUTLINE DRAWING	
0<D≤400	±10		0	N/A	First issued	10/06/2024	L&T	Hoyer	TITLE: HMA4-132M2-6p-B5	
400<D≤1000	±20								DWG NO.: TD-ID-D2165	
1000<D≤2000	±30								A3	
2000<D≤4000	±35							SCALE:1:1		
4000<D≤8000	±40							Weight: 84 kg		
Unit: mm								SHEET 1 OF 1		
 Representation of the machine is illustrative only Some features may not be represented For installation or maintenance, consult operation manual			Protection:	IEC 60034-5	Machined Part:	ISO 2768	DWG NO.: TD-ID-D2165			
			Dimension:	IEC 60072	Weld Constr:	ISO 8015				
			Tolerance:	ISO 286	Castings:	ISO 8062				
			Key:	IEC 60072						