

1

2

3

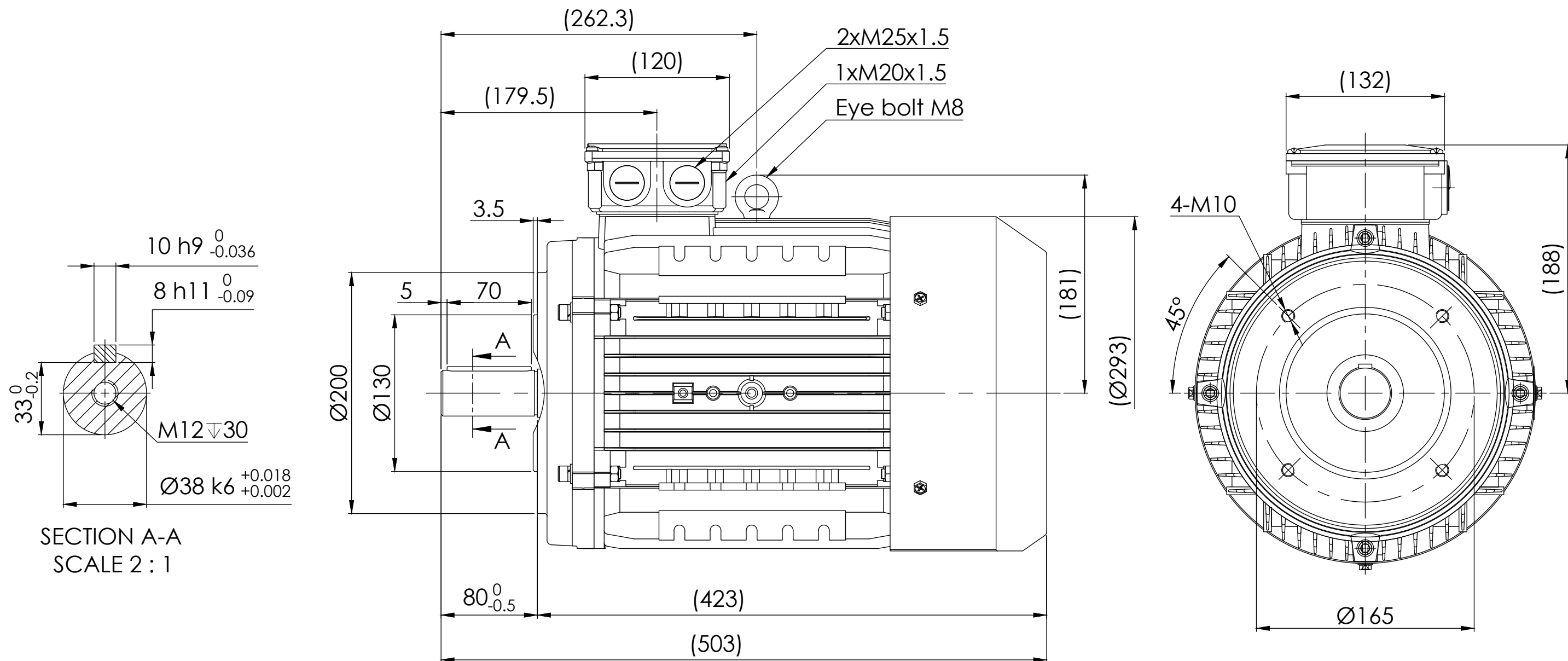
4

5

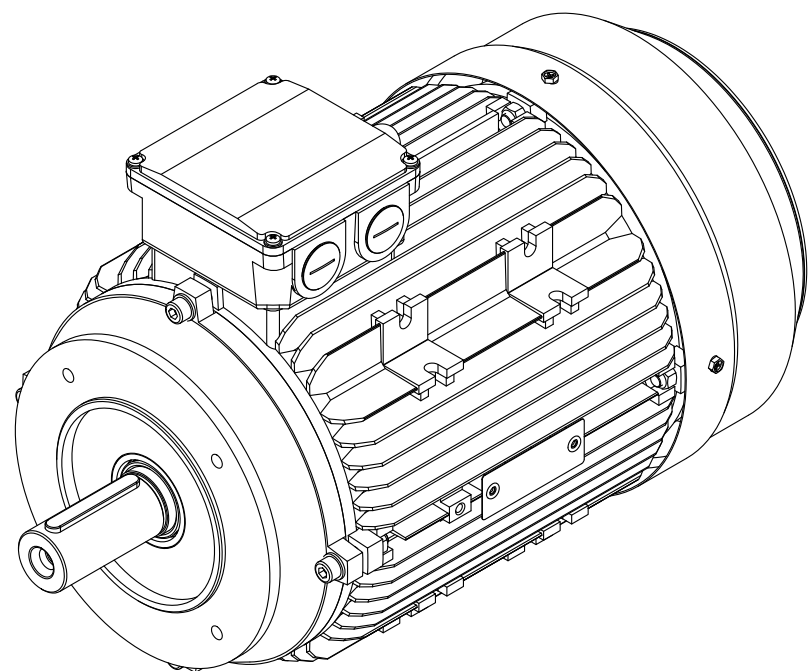
6

7

8





SECTION A-A
SCALE 2 : 1



Note:

- 1.All dimensions are in mm
- 2.Tolerances not informed on the drawing according to the mounting tolerance table.

| Mounting tolerance | |  | | Hoyer Motors | | | DEBUR AND BREAK SHARP EDGES | | DRAWING NOT IN SCALE | |
|---|-----------|---|-----|-------------------------|------------|-------------------------|-----------------------------|-----------------------------|----------------------|-----------------|
| Dimensions range | Tolerance | | | REV. | LOCATION | DESCRIPTION | DATE | RESP. | APPROVED | OUTLINE DRAWING |
| 0<D≤400 | ±10 | 0 | N/A | First issued | 10/06/2024 | L&T | Hoyer | TITLE: HMA4-132M1-6p-B14 | | |
| 400<D≤1000 | ±20 | | | | | | | DWG NO.: TD-ID-D2167 | | |
| 1000<D≤2000 | ±30 | | | | | | | A3 | | |
| 2000<D≤4000 | ±35 | | | | | | | SCALE:1:1 | | |
| 4000<D≤8000 | ±40 | | | | | | | Weight: 70 kg | | |
| Unit: mm | | | | | | | | SHEET 1 OF 1 | | |
|  Representation of the machine is illustrative only Some features may not be represented For installation or maintenance, consult operation manual | | | | Protection: IEC 60034-5 | | Machined Part: ISO 2768 | | DWG NO.: TD-ID-D2167 | | |
| | | | | Dimension: IEC 60072 | | Weld Constr: ISO 8015 | | | | |
| | | | | Tolerance: ISO 286 | | Castings: ISO 8062 | | | | |
| | | | | Key: IEC 60072 | | | | | | |