

1

2

3

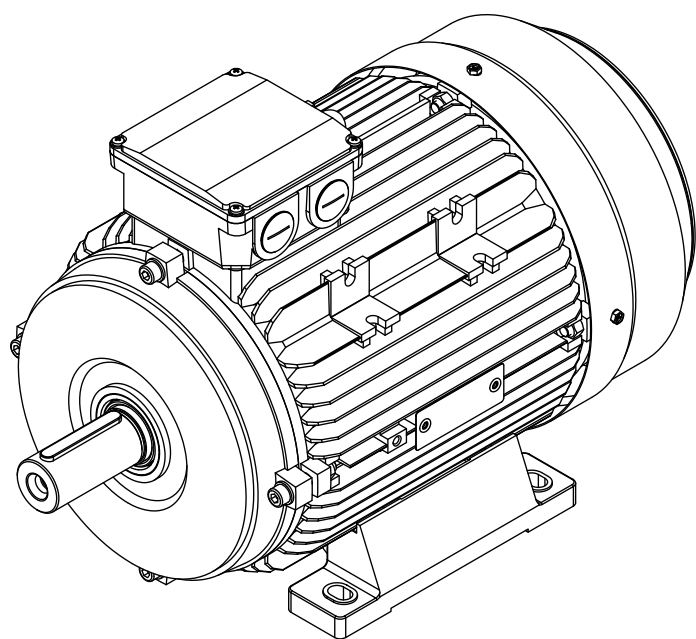
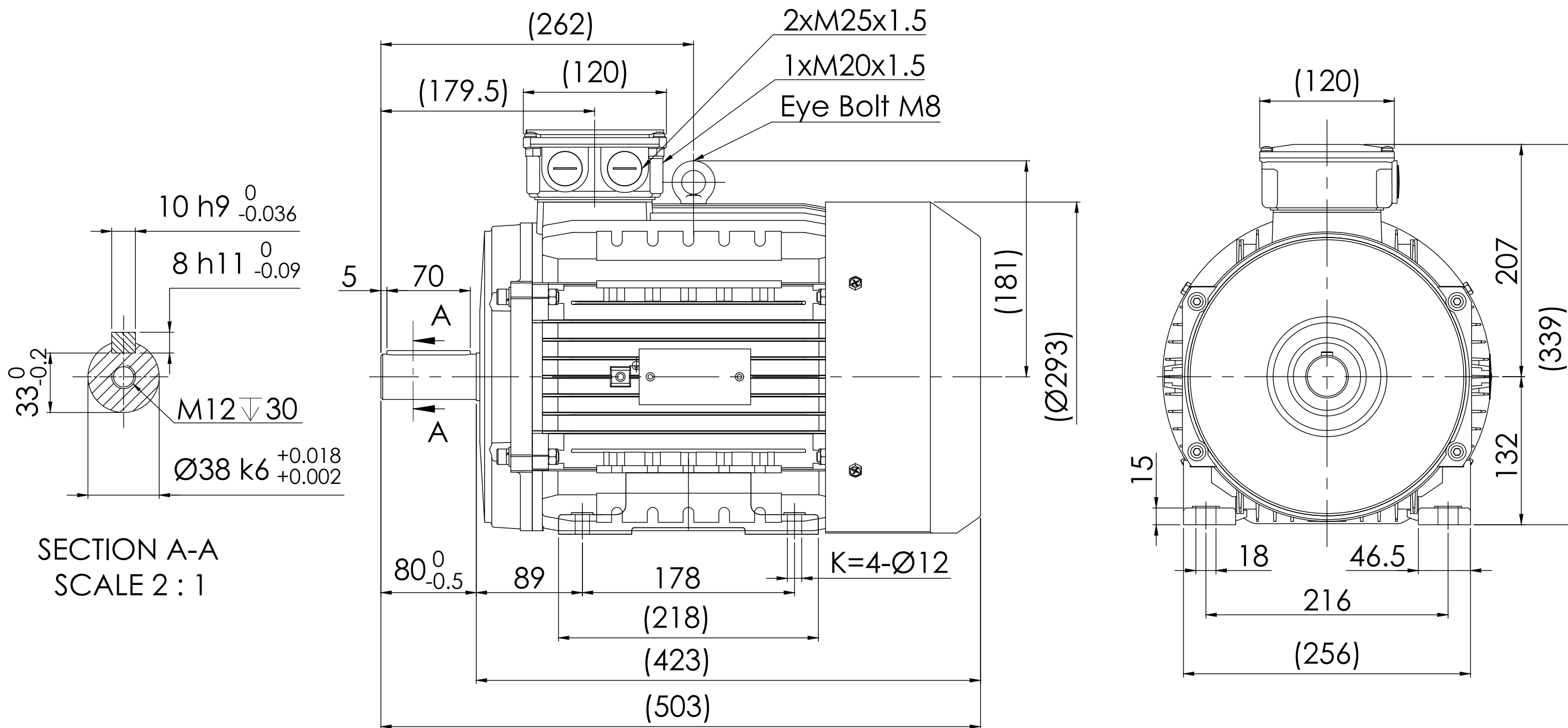
4

5

6



7

8



Note:

- All dimensions are in mm
- Tolerances not informed on the drawing according to the mounting tolerance table.

Mounting tolerance				Hoyer Motors		DEBUR AND BREAK SHARP EDGES		DRAWING NOT IN SCALE	
Dimensions range	Tolerance			Over Hadstenevej 42, DK-8370 Hadsten	Tel : +45 86982111	FAX: +45 86981779		www.hoyermotors.com	
0<D≤400	±10	REV.	LOCATION	DESCRIPTION	DATE	RESP.	APPROVED	TITLE:	
400<D≤1000	±20	0	N/A	First issued	07/06/2024	L&T	Hoyer	HMA4-132M-4p-B3	
1000<D≤2000	±30							DWG NO.:	
2000<D≤4000	±35							TD-ID-D1133	
4000<D≤8000	±40							A3	
Unit: mm								SCALE:1:3.5	
		Representation of the machine is illustrative only		Protection: IEC 60034-5		Machined Part: ISO 2768		Weight: 77 kg	
		Some features may not be represented		Dimension: IEC 60072		Weld Constr: ISO 8015		SHEET 1 OF 1	
		For installation or maintenance, consult operation manual		Tolerance: ISO 286		Castings: ISO 8062			
		Key: IEC 60072							