

1

2

3

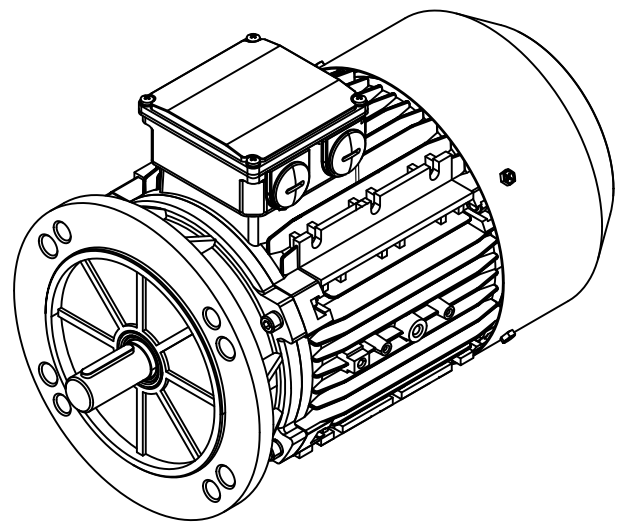
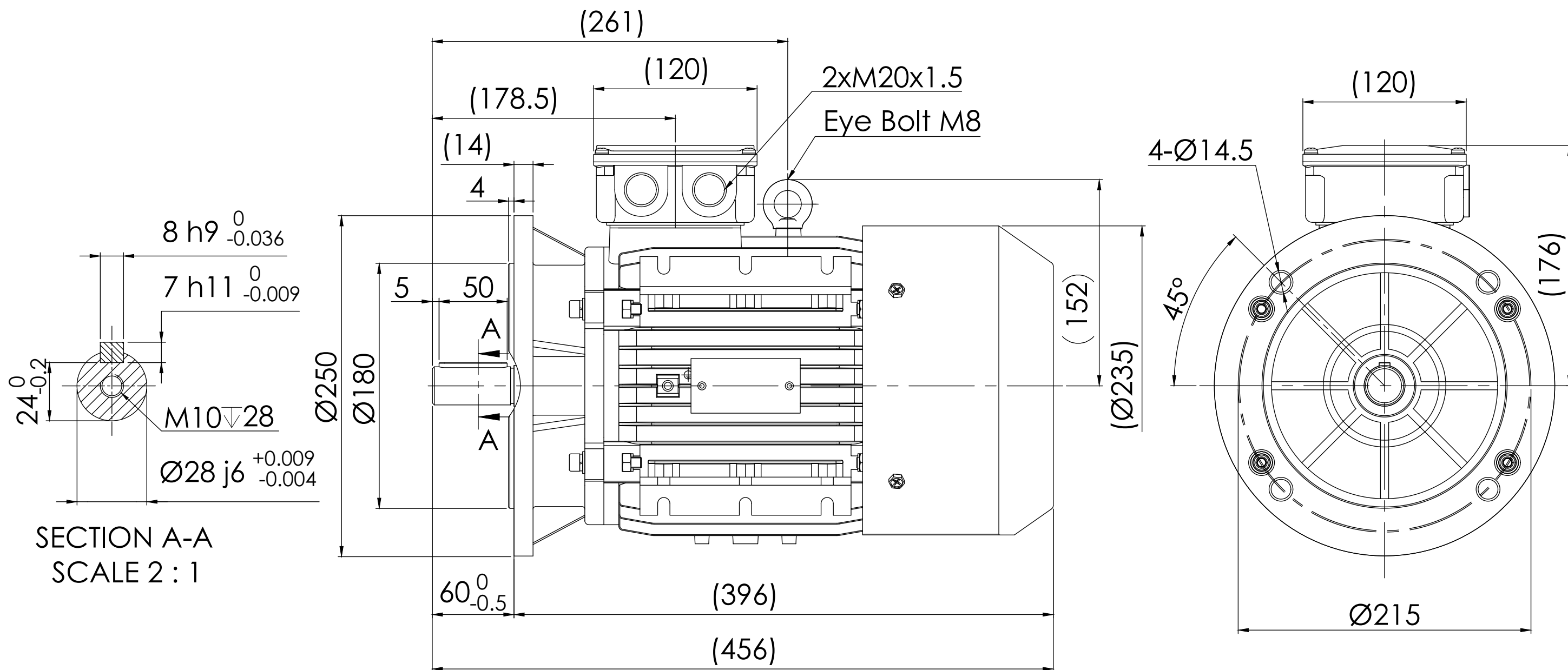
4

5

6

7

8



Note:

- All dimensions are in mm
- Tolerances not informed on the drawing according to the mounting tolerance table.

| Mounting tolerance | | HOYER EXCEEDING EXPECTATIONS | | Hoyer Motors Over Hadstenevej 42, DK-8370 Hadsten Tel : +45 86982111 Fax: +45 86981779 www.hoyermotors.com | | | DEBUR AND BREAK SHARP EDGES | DRAWING NOT IN SCALE | |
|---------------------------------------------------------------------------------------------------------------------------------------------------------|-----------|----------------------------------------|----------|------------------------------------------------------------------------------------------------------------------------|------------|-------------------------|-----------------------------------|---------------------------|--|
| Dimensions range | Tolerance | REV. | LOCATION | DESCRIPTION | DATE | RESP. | APPROVED | OUTLINE DRAWING | |
| 0<D≤400 | ±10 | 0 | N/A | First issued | 05/06/2024 | L&T | Hoyer | TITLE: HMA4-112M-6p-B5 | |
| 400<D≤1000 | ±20 | | | | | | | DWG NO.: TD-ID-D2157 | |
| 1000<D≤2000 | ±30 | | | | | | | A3 | |
| 2000<D≤4000 | ±35 | | | | | | | SCALE:1:3 | |
| 4000<D≤8000 | ±40 | | | | | | | Weight: 45 kg | |
| Unit: mm | | | | | | | | SHEET 1 OF 1 | |
| Representation of the machine is illustrative only Some features may not be represented For installation or maintenance, consult operation manual | | | | Protection: IEC 60034-5 | | Machined Part: ISO 2768 | | DWG NO.: TD-ID-D2157 | |
| | | | | Dimension: IEC 60072 | | Weld Constr: ISO 8015 | | | |
| | | | | Tolerance: ISO 286 | | Castings: ISO 8062 | | | |
| | | | | Key: IEC 60072 | | | | | |