

1

2

3

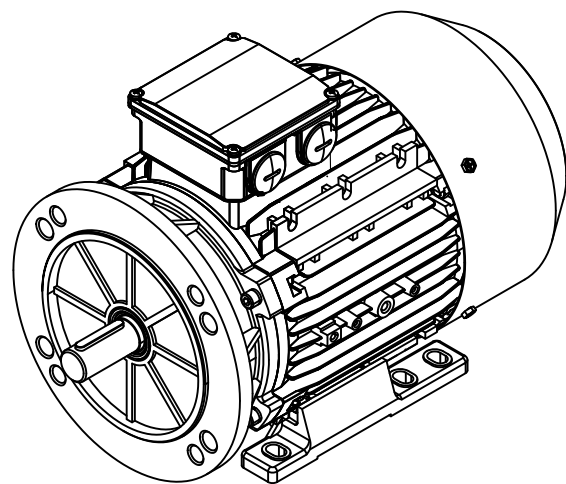
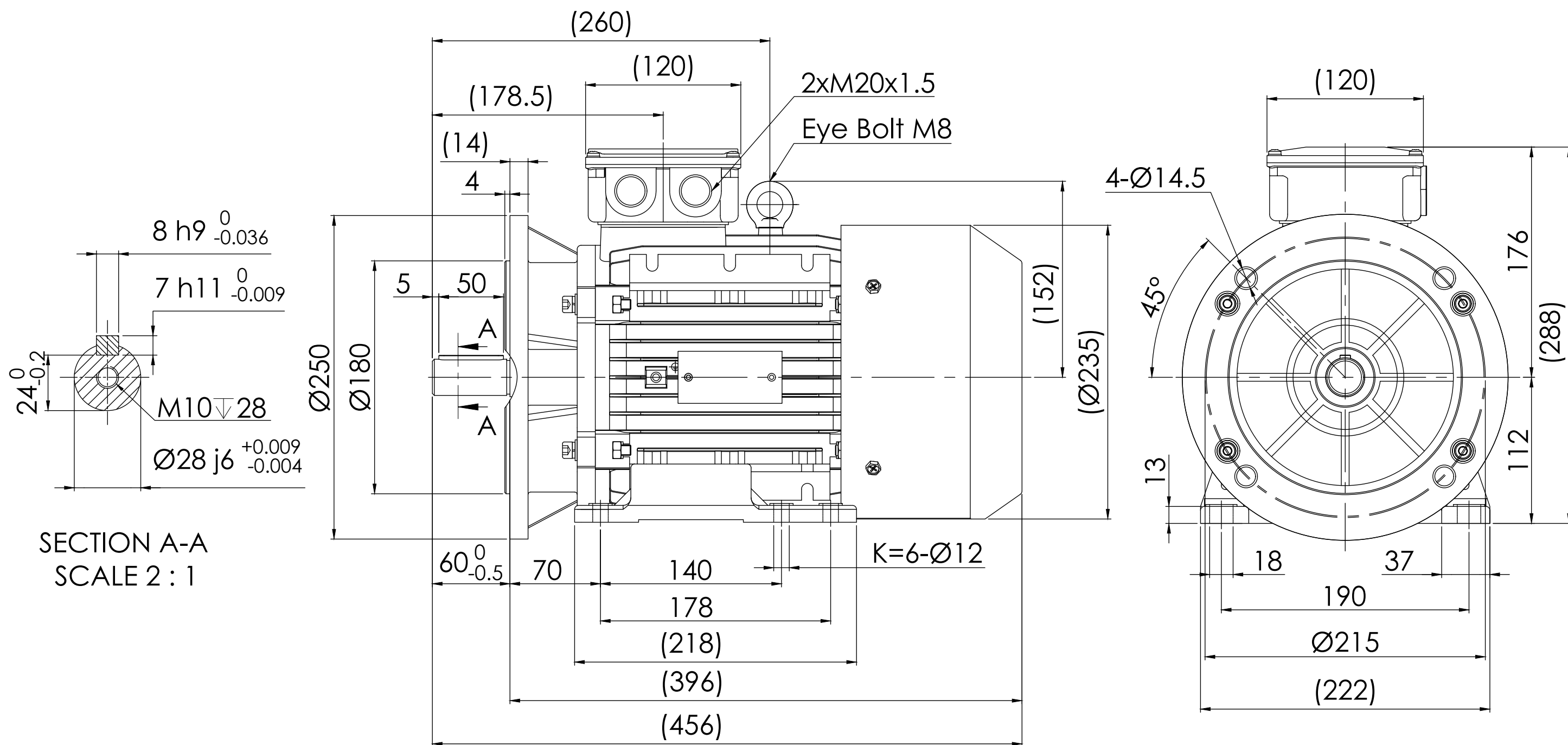
4

5

6



7

8



Note:

1. All dimensions are in mm
2. Tolerances not informed on the drawing according to the mounting tolerance table.

Mounting tolerance		 <small>EXCEEDING EXPECTATIONS</small>		Hoyer Motors			DEBUR AND BREAK SHARP EDGES		DRAWING NOT IN SCALE	
Dimensions range	Tolerance			REV.	LOCATION	DESCRIPTION	DATE	RESP.	APPROVED	OUTLINE DRAWING
0 < D ≤ 400	±10	0	N/A	First issued	07/06/2024	L&T	Hoyer	TITLE: HMA4-112M-4p-B35		
400 < D ≤ 1000	±20							DWG NO.: TD-ID-D1132		
1000 < D ≤ 2000	±30							A3		
2000 < D ≤ 4000	±35							SCALE: 1:3		
4000 < D ≤ 8000	±40							Weight: 47 kg		
Unit: mm								SHEET 1 OF 1		
		Representation of the machine is illustrative only			Protection:	IEC 60034-5	Machined Part:	ISO 2768	DWG NO.: TD-ID-D1132 A3	
		Some features may not be represented			Dimension:	IEC 60072	Weld Constr:	ISO 8015		
		For installation or maintenance, consult operation manual			Tolerance:	ISO 286	Castings:	ISO 8062		
		Key:			IEC 60072					