

1

2

3

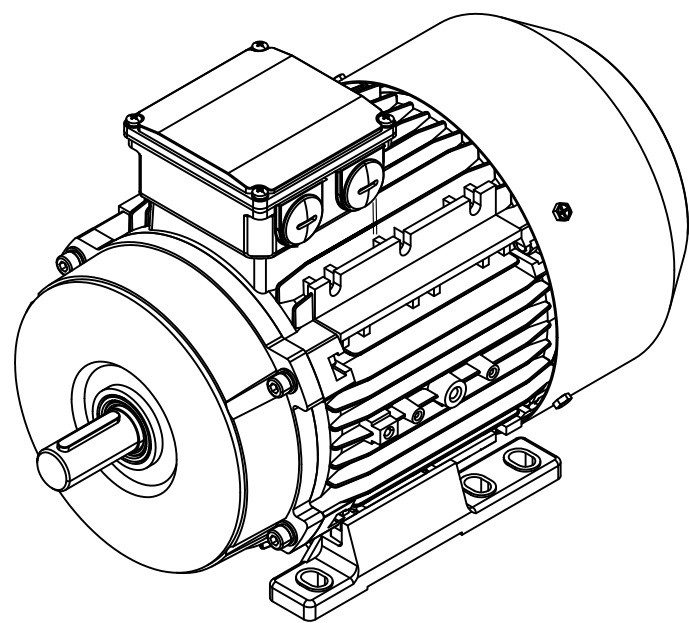
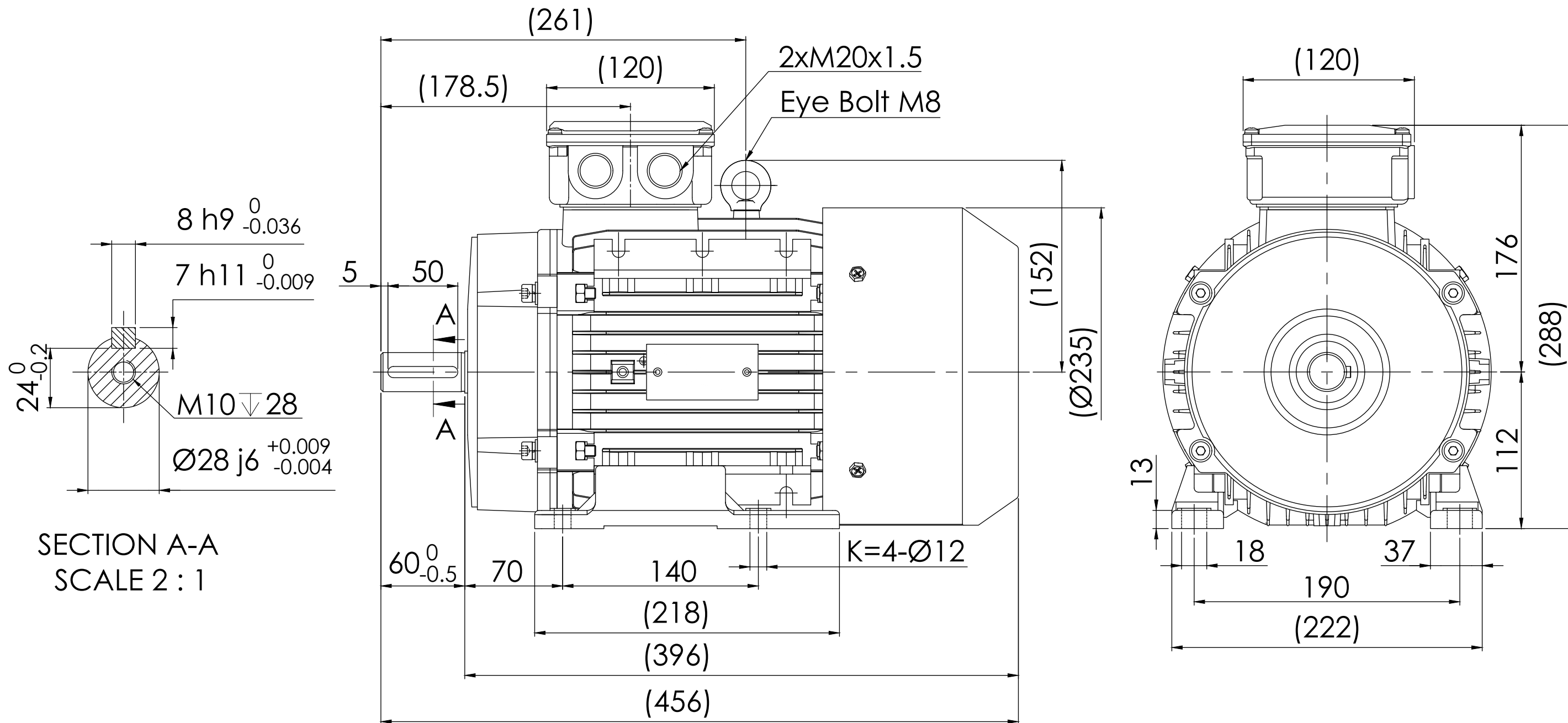
4

5

6



7

8



Note:

- All dimensions are in mm
- Tolerances not informed on the drawing according to the mounting tolerance table.

Mounting tolerance				Hoyer Motors		DEBUR AND BREAK SHARP EDGES		DRAWING NOT IN SCALE		
Dimensions range	Tolerance			Over Hadstenevej 42, DK-8370 Hadsten		Tel : +45 86982111		Fax: +45 86981779		www.hoyermotors.com
0<D≤400	±10	REV.	LOCATION	DESCRIPTION	DATE	RESP.	APPROVED	TITLE:		
400<D≤1000	±20	0	N/A	First issued	04/06/2024	L&T	Hoyer	HMA4-112M-4p-B3		
1000<D≤2000	±30							DWG NO.:		
2000<D≤4000	±35							TD-ID-D1128		
4000<D≤8000	±40							A3		
Unit: mm										
		Representation of the machine is illustrative only			Protection: IEC 60034-5		Machined Part: ISO 2768		SCALE:1:3	
		Some features may not be represented			Dimension: IEC 60072		Weld Constr: ISO 8015		Weight: 47 kg	
		For installation or maintenance, consult operation manual			Tolerance: ISO 286		Castings: ISO 8062		SHEET 1 OF 1	
				Key: IEC 60072						