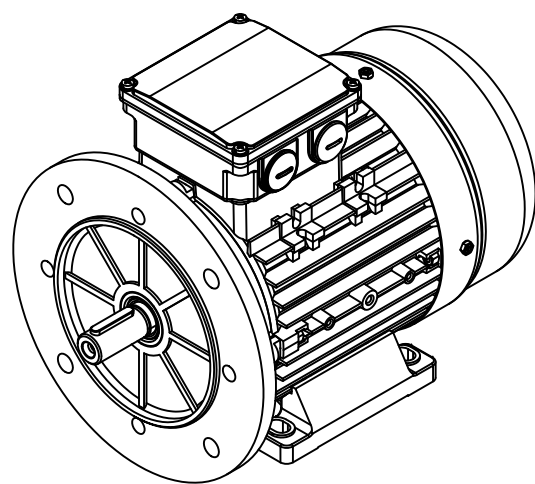




SECTION A-A
SCALE 2 : 1



Note:

- 1.All dimensions are in mm
- 2.Tolerances not informed on the drawing according to the mounting tolerance table.

Mounting tolerance		 <small>EXCEEDING EXPECTATIONS</small>		Hoyer Motors			DEBUR AND BREAK SHARP EDGES		DRAWING NOT IN SCALE	
Dimensions range	Tolerance			Over Hadstenevej 42, DK-8370 Hadsten Tel : +45 86982111 Fax: +45 86981779 www.hoyermotors.com					OUTLINE DRAWING	
0<D≤400	±10	REV.	LOCATION	DESCRIPTION	DATE	RESP.	APPROVED	TITLE: HMA4-112M-2p-B5		
400<D≤1000	±20	0	N/A	First issued	05/06/2024	L&T	Hoyer			
1000<D≤2000	±30									
2000<D≤4000	±35									
4000<D≤8000	±40									
Unit: mm										
		Representation of the machine is illustrative only			Protection:	IEC 60034-5	Machined Part:	ISO 2768	DWG NO.: TD-ID-D1124	A3
		Some features may not be represented			Dimension:	IEC 60072	Weld Constr:	ISO 8015		
		For installation or maintenance, consult operation manual			Tolerance:	ISO 286	Castings:	ISO 8062		
				Key:	IEC 60072			SCALE:1:3	Weight: 38 kg	SHEET 1 OF 1