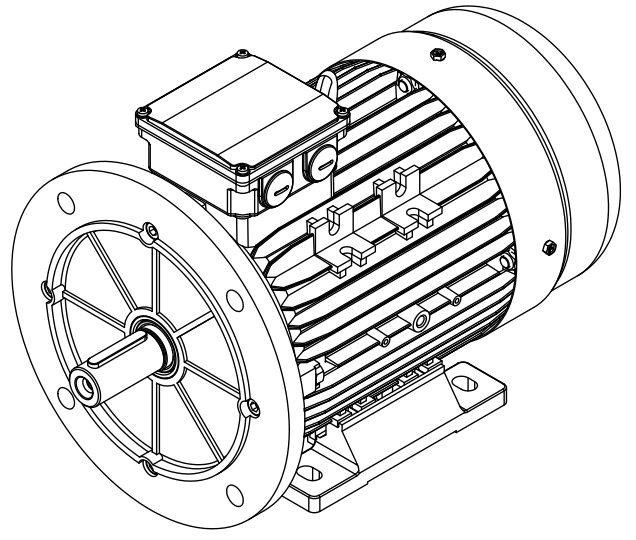




SECTION A-A
SCALE 2:1



Note:
 1. All dimensions are in mm
 2. Tolerances not informed on the drawing according to the mounting tolerance table.

| | | | | | | | | | | |
|---|-----------|---|----------|--|-------------------------|-------|-----------------------------|-----------------------------|----------------------|--|
| Mounting tolerance | |  | | Hoyer Motors | | | DEBUR AND BREAK SHARP EDGES | | DRAWING NOT IN SCALE | |
| Dimensions range | Tolerance | | | Over Hadstenevej 42, DK-8370 Hadsten Tel : +45 86982111 Fax: +45 86981779 www.hoyermotors.com | | | | | OUTLINE DRAWING | |
| 0<D≤400 | ±10 | REV. | LOCATION | DESCRIPTION | DATE | RESP. | APPROVED | TITLE: HMA4-100L2-4p-B35 | | |
| 400<D≤1000 | ±20 | 0 | N/A | First issued | 07/06/2024 | L&T | Hoyer | | | |
| 1000<D≤2000 | ±30 | | | | | | | | | |
| 2000<D≤4000 | ±35 | | | | | | | | | |
| 4000<D≤8000 | ±40 | | | | | | | DWG NO.: TD-ID-D1122 | | |
| Unit: mm | | | | | | | | A3 | | |
|  | | Representation of the machine is illustrative only | | | Protection: IEC 60034-5 | | Machined Part: ISO 2768 | | SCALE:1:1 | |
| | | Some features may not be represented | | | Dimension: IEC 60072 | | Weld Constr: ISO 8015 | | Weight: 36 kg | |
| | | For installation or maintenance, consult operation manual | | | Tolerance: ISO 286 | | Castings: ISO 8062 | | SHEET 1 OF 1 | |
| | | | | Key: IEC 60072 | | | | | | |