

1

2

3

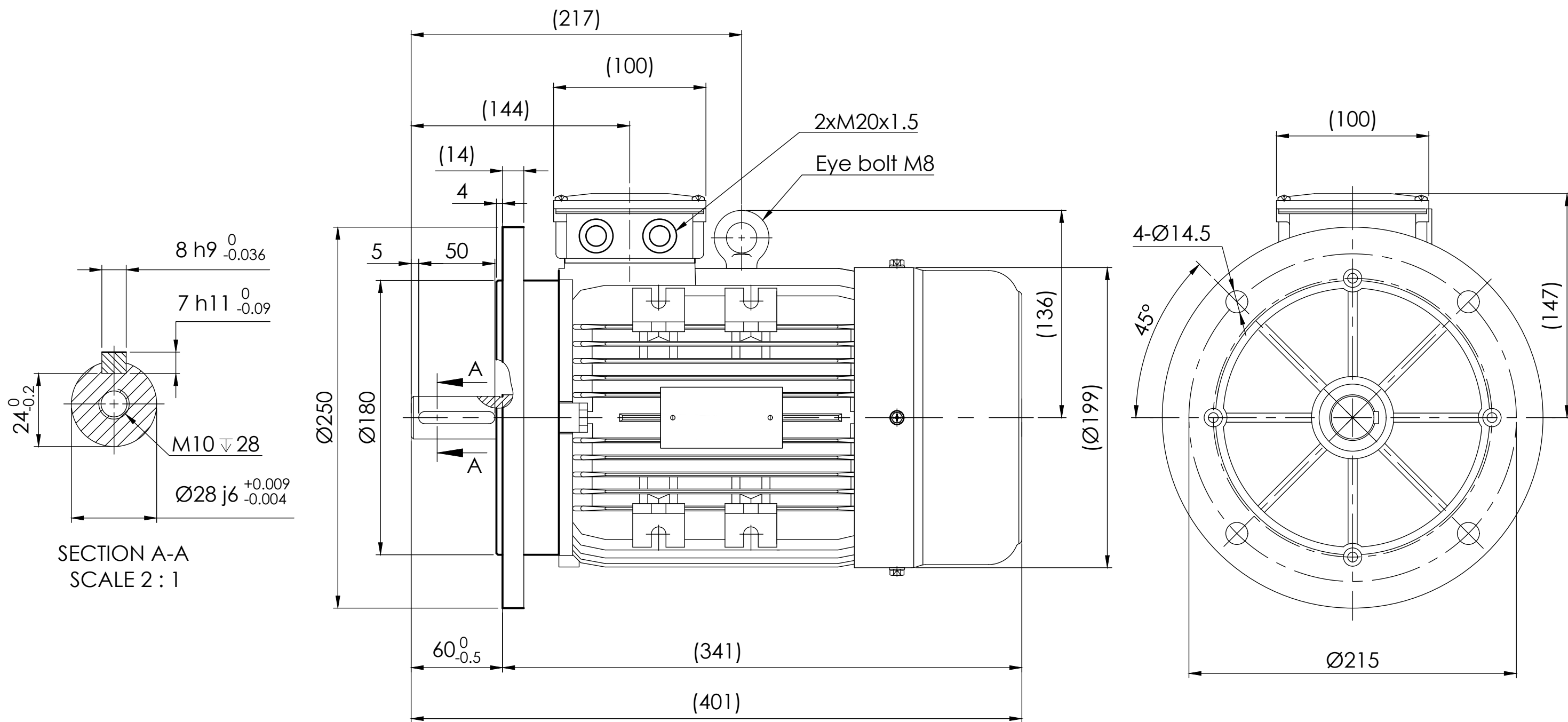
4

5

6

7

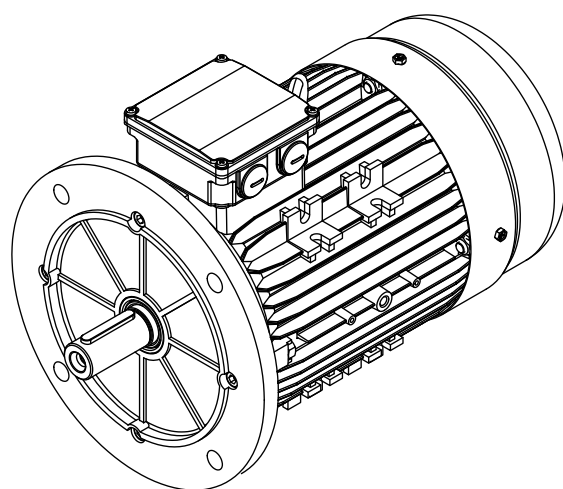
8





SECTION A-A  
SCALE 2 : 1

Note:

1. All dimensions are in mm
2. Tolerances not informed on the drawing according to the mounting tolerance table.



Mounting tolerance		 <small>EXCEEDING EXPECTATIONS</small>		Hoyer Motors			DEBUR AND BREAK SHARP EDGES		DRAWING NOT IN SCALE	
Dimensions range	Tolerance			REV.	LOCATION	DESCRIPTION	DATE	RESP.	APPROVED	OUTLINE DRAWING
0 < D ≤ 400	±10	0	N/A	First issued	05/06/2024	L&T	Hoyer	TITLE: HMA4-100L-6p-B5		
400 < D ≤ 1000	±20							DWG NO.: TD-ID-D2148		
1000 < D ≤ 2000	±30							A3		
2000 < D ≤ 4000	±35							SCALE: 1:1		
4000 < D ≤ 8000	±40							Weight: 30 kg		
Unit: mm								SHEET 1 OF 1		
 Representation of the machine is illustrative only Some features may not be represented For installation or maintenance, consult operation manual				Protection: IEC 60034-5		Machined Part: ISO 2768		DWG NO.: TD-ID-D2148 A3		
				Dimension: IEC 60072		Weld Constr: ISO 8015				
				Tolerance: ISO 286		Castings: ISO 8062				
				Key: IEC 60072						