

1

2

3

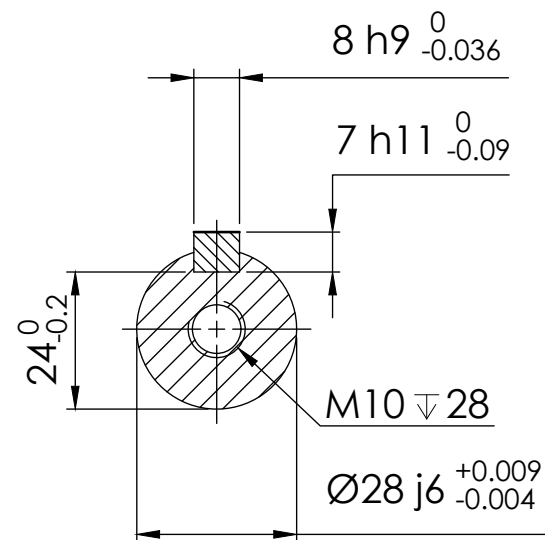
4

5

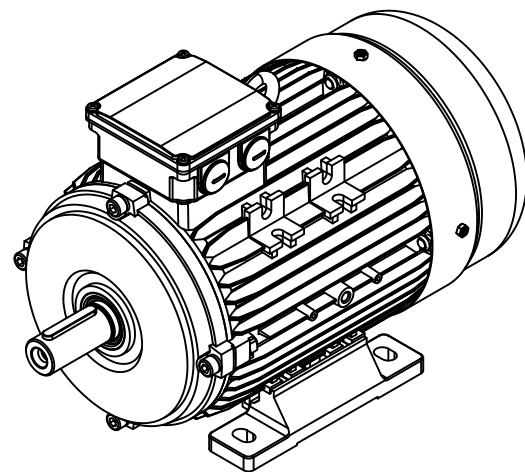
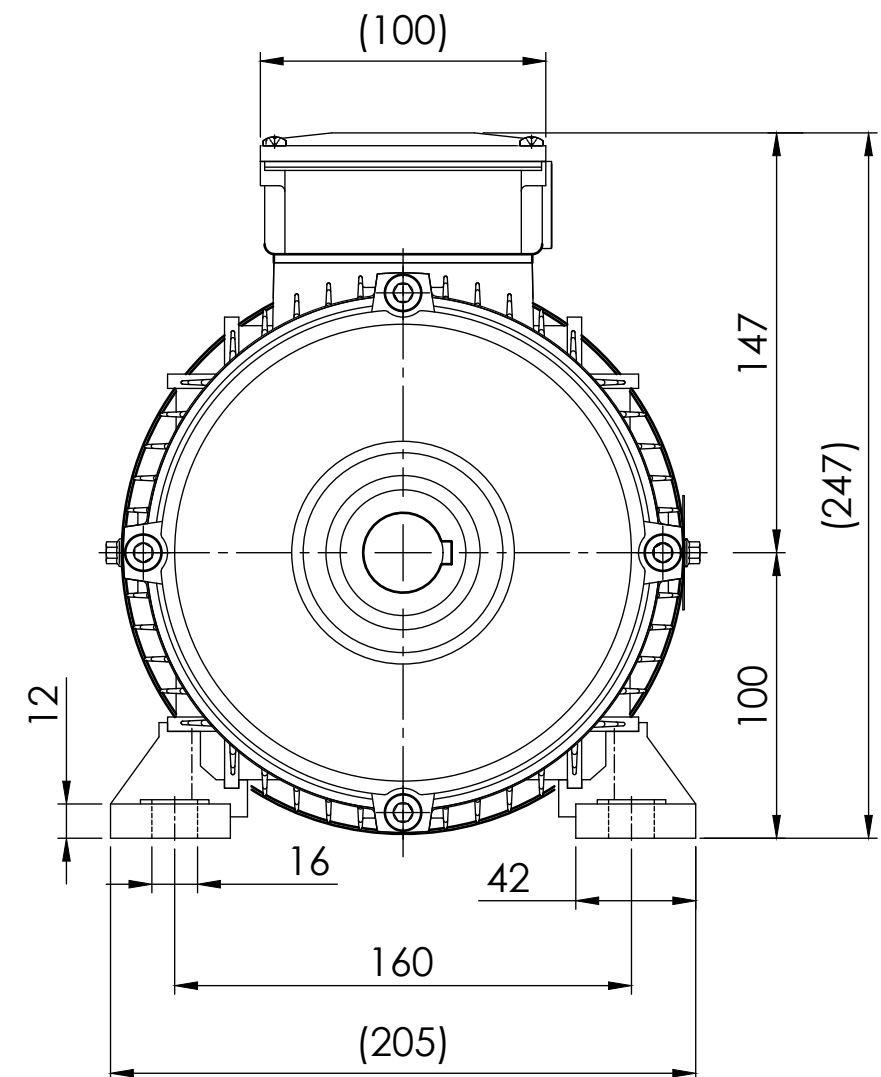
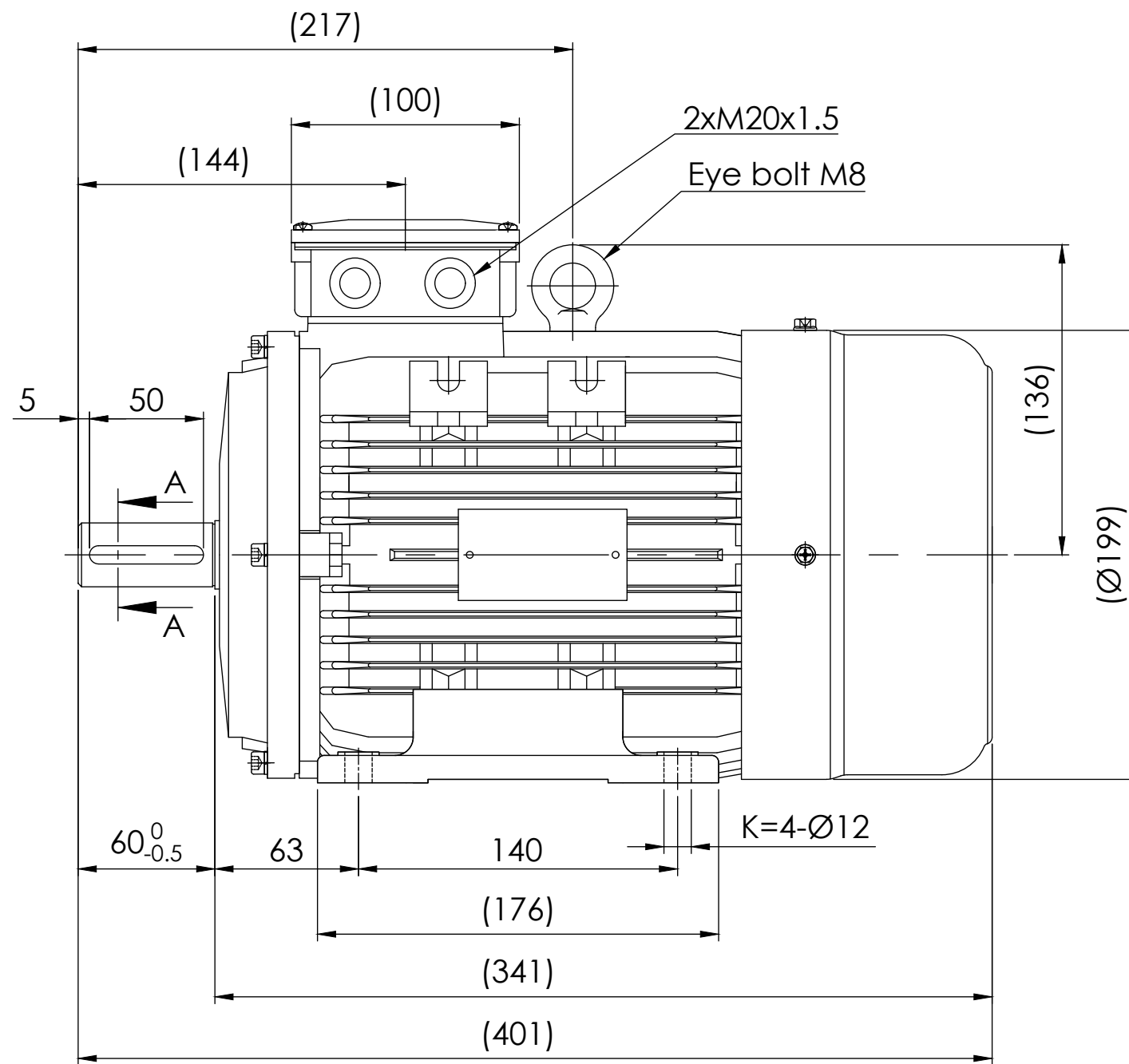
6

7

8





SECTION A-A
SCALE 2:1



Note:

1.All dimensions are in mm

2.Tolerances not informed on the drawing according to the mounting tolerance table.

Mounting tolerance		 <small>EXCEEDING EXPECTATIONS</small>		Hoyer Motors			DEBUR AND BREAK SHARP EDGES		DRAWING NOT IN SCALE		
Dimensions range	Tolerance			REV.	LOCATION	DESCRIPTION	DATE	RESP.	APPROVED	OUTLINE DRAWING	
0<D≤400	±10	0	N/A	First issued	04/06/2024	L&T	Hoyer	TITLE: HMA4-100L-2p-B3			
400<D≤1000	±20							DWG NO.: TD-ID-D1113			
1000<D≤2000	±30							A3			
2000<D≤4000	±35							SCALE:1:1			
4000<D≤8000	±40							Weight: 28 kg			
Unit: mm								SHEET 1 OF 1			
				Representation of the machine is illustrative only		Protection: IEC 60034-5		Machined Part: ISO 2768			
				Some features may not be represented		Dimension: IEC 60072		Weld Constr: ISO 8015			
				For installation or maintenance, consult operation manual		Tolerance: ISO 286		Castings: ISO 8062			
						Key: IEC 60072					