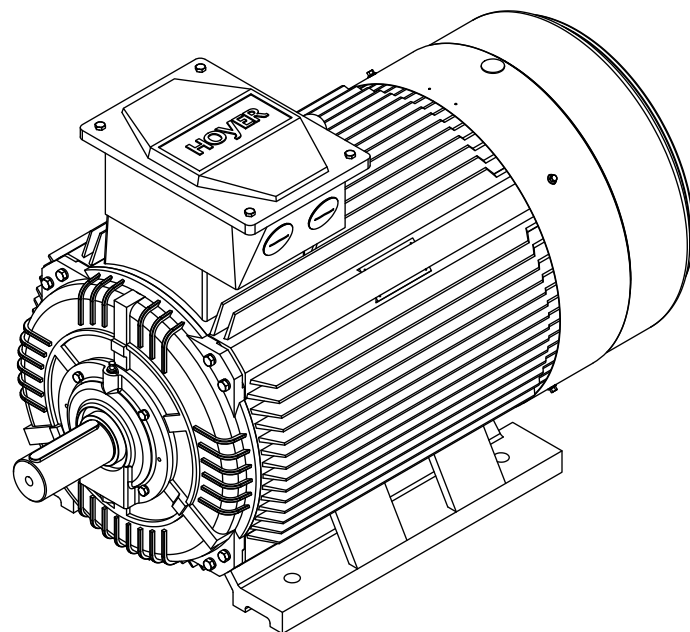
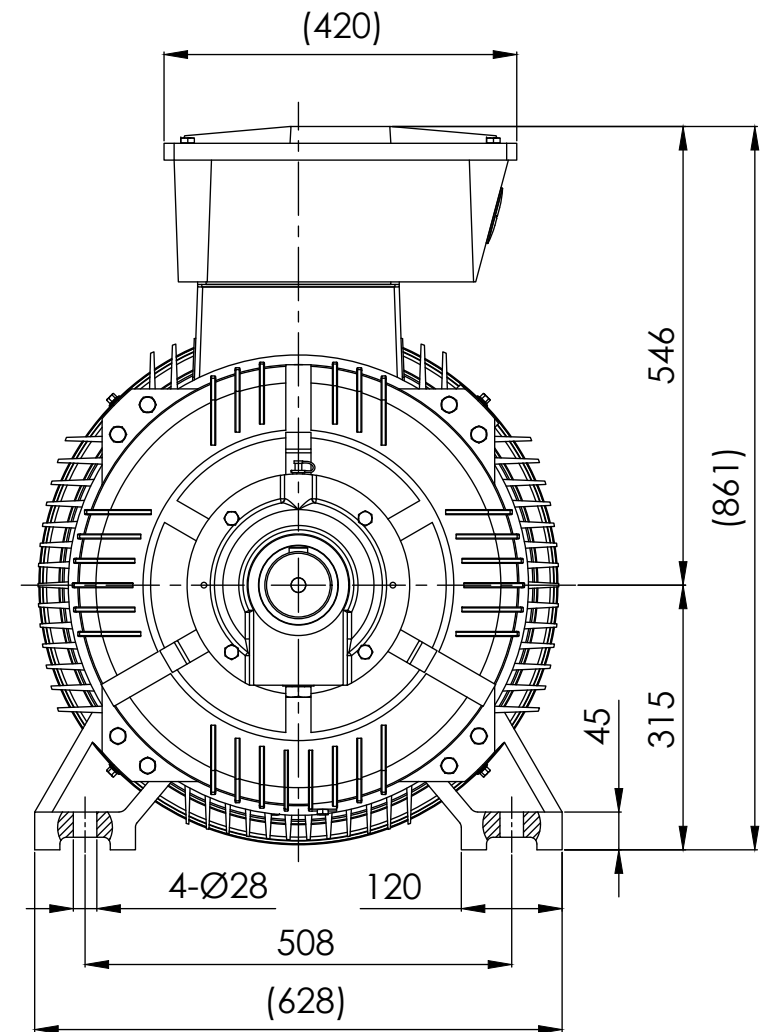
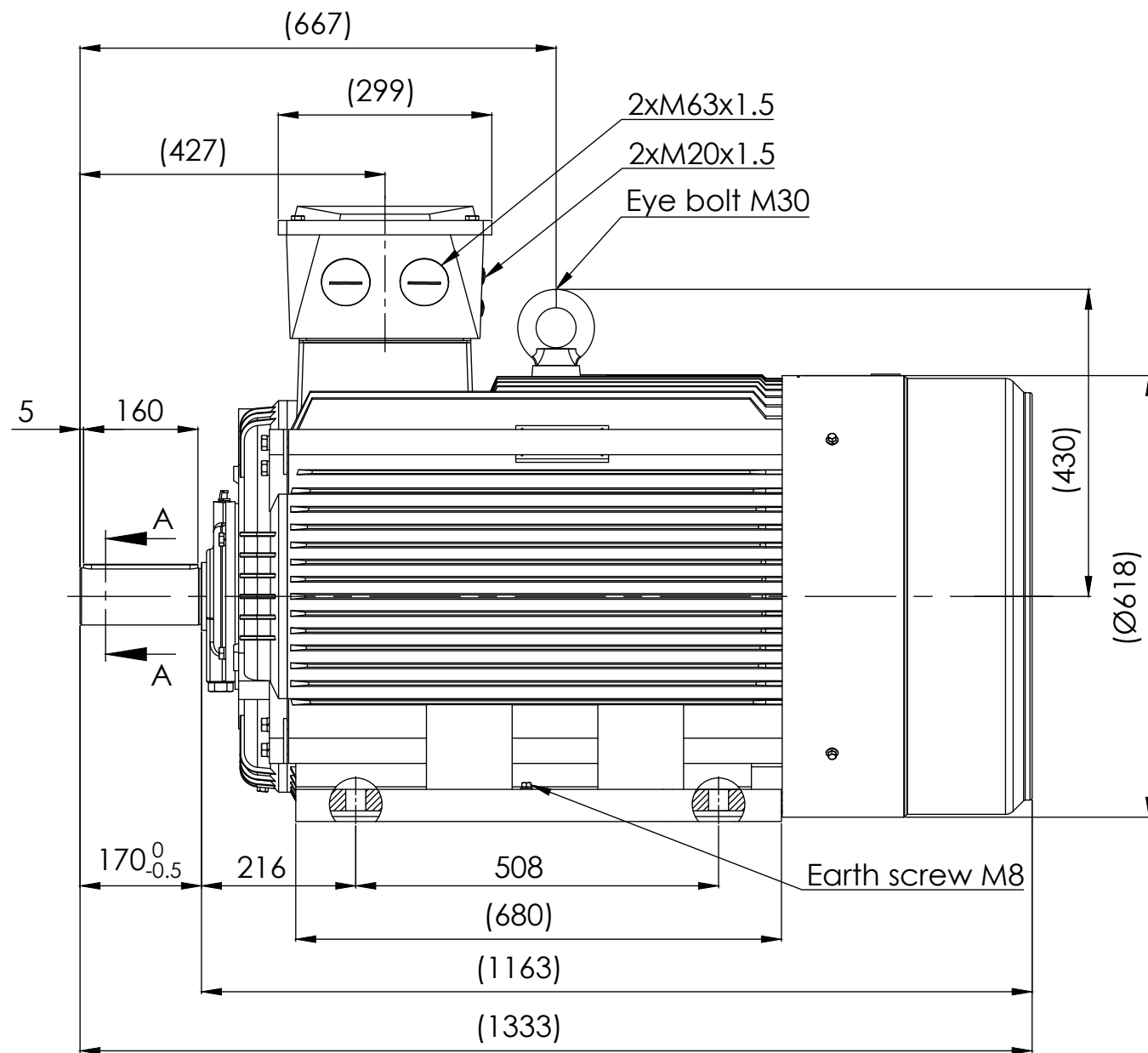


SECTION A-A
SCALE 3:1



Note:

- 1.All dimensions are in mm
- 2.Tolerances not informed on the drawing according to the mounting tolerance table.

Mounting tolerance		<p>HOYER EXCEEDING EXPECTATIONS</p>	Hoyer Motors				DEBUR AND BREAK SHARP EDGES	DRAWING NOT IN SCALE		
Dimensions range	Tolerance		Over Hadstenvej 42, DK-8370 Hadsten					OUTLINE DRAWING		
0<D≤400	±10		Tel : +45 86982111					TITLE:		
400<D≤1000	±20		REV.	LOCATION	DESCRIPTION	DATE		RESP.	APPROVED	HMC3-315L2-8p-B3
1000<D≤2000	±30		0	N/A	First issued	08/10/2024		L&T	Hoyer	
2000<D≤4000	±35									
4000<D≤8000	±40									
Unit: mm										
<p>Representation of the machine is illustrative only Some features may not be represented For installation or maintenance, consult operation manual</p>		Protection:		IEC 60034-5	Machined Part:		ISO 2768	DWG NO.:	A3	
		Dimension:		IEC 60072	Weld Constr:		ISO 8015			
		Tolerance:		ISO 286	Castings:		ISO 8062			
		Key:		IEC 60072				SCALE:1:10	Weight: 1092 kg	SHEET 1 OF 1