

1

2

3

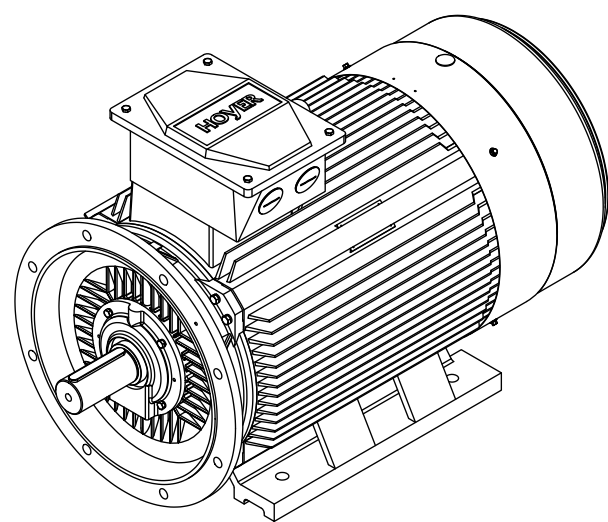
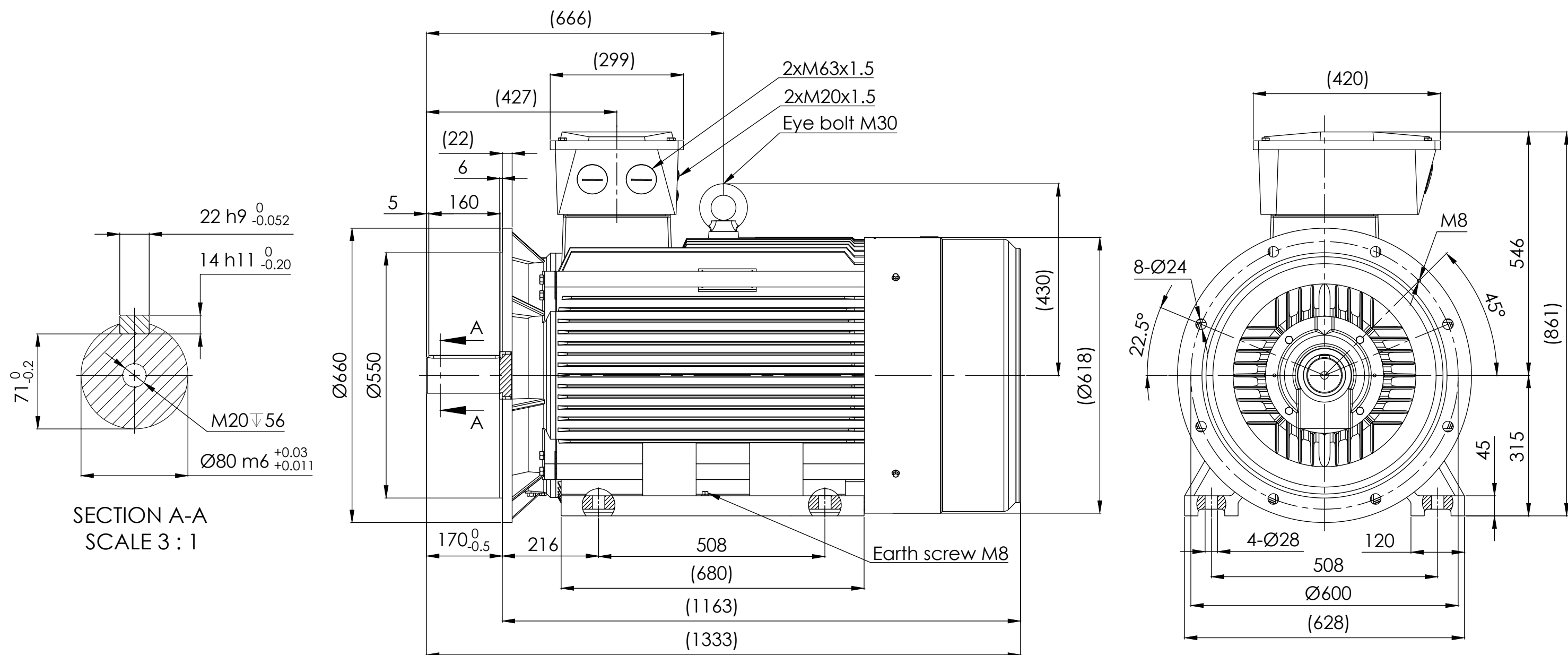
4

5

6



7

8



Note:

- All dimensions are in mm
- Tolerances not informed on the drawing according to the mounting tolerance table.

Mounting tolerance				Hoyer Motors			DEBUR AND BREAK SHARP EDGES		DRAWING NOT IN SCALE		
Dimensions range	Tolerance			Over Hadstenevej 42, DK-8370 Hadsten Tel : +45 86982111 Fax: +45 86981779 www.hoyermotors.com					OUTLINE DRAWING		
0<D≤400	±10	REV.	LOCATION	DESCRIPTION	DATE	RESP.	APPROVED	TITLE: HMC3-315L1-8p-B35			
400<D≤1000	±20	0	N/A	First issued	10/10/2024	L&T	Hoyer				
1000<D≤2000	±30										
2000<D≤4000	±35										
4000<D≤8000	±40										
Unit: mm											
 Representation of the machine is illustrative only Some features may not be represented For installation or maintenance, consult operation manual				Protection:	IEC 60034-5	Machined Part:	ISO 2768	DWG NO.: TD-ID-D3577		A3	
				Dimension:	IEC 60072	Weld Constr:	ISO 8015				
				Tolerance:	ISO 286	Castings:	ISO 8062				
				Key:	IEC 60072						
SCALE:1:10		Weight: 1060 kg		SHEET 1 OF 1							