

1

2

3

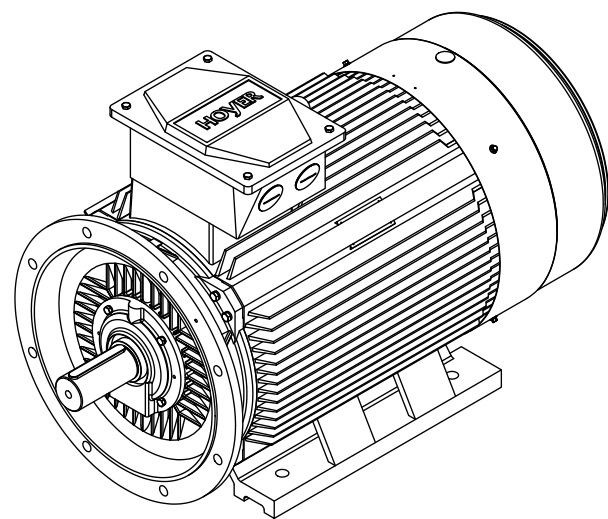
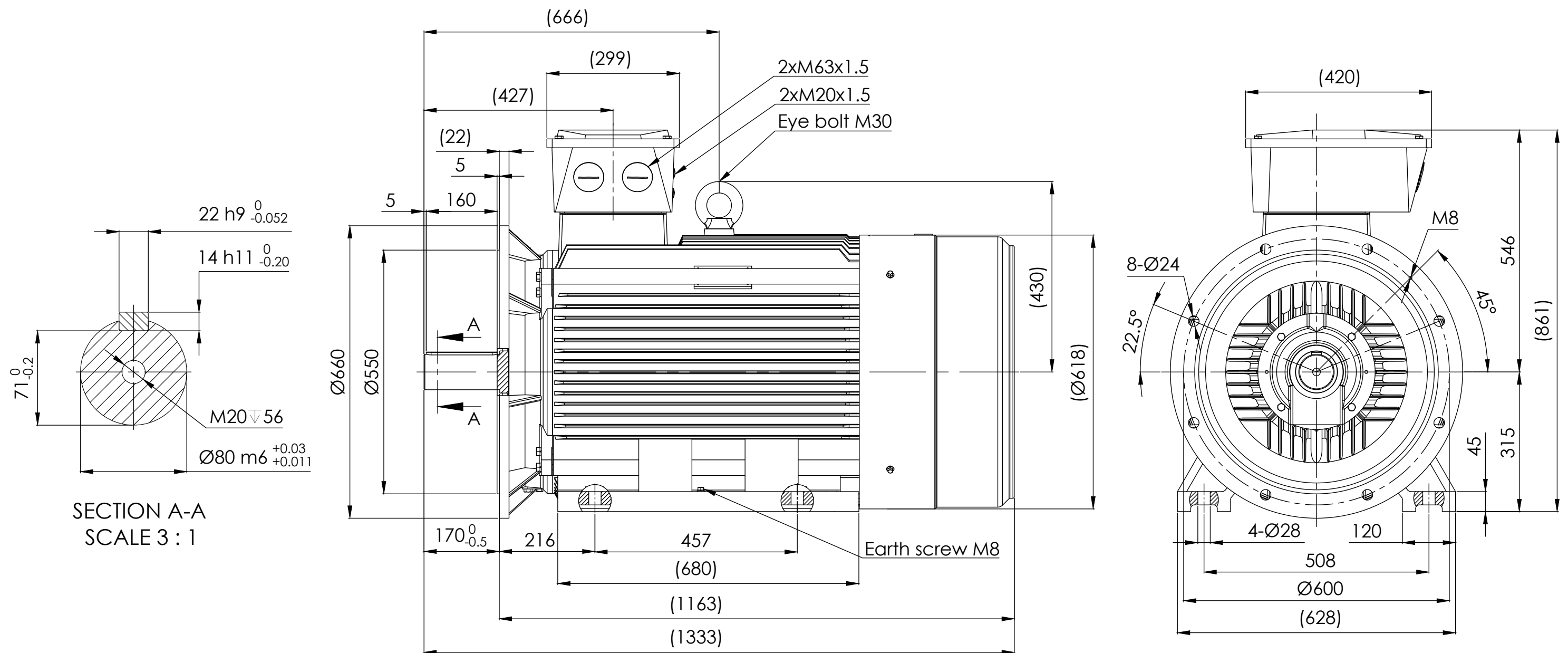
4

5

6

7

8



Note:

1.All dimensions are in mm

2.Tolerances not informed on the drawing according to the mounting tolerance table.

Mounting tolerance		Hoyer Motors		DEBUR AND BREAK SHARP EDGES				DRAWING NOT IN SCALE	
Dimensions range	Tolerance	Hoyer Motors		Over Hadstenevej 42, DK-8370 Hadsten Tel : +45 86982111 Fax: +45 86981779 www.hoyermotors.com				OUTLINE DRAWING	
0<D≤400	±10	REV.	LOCATION	DESCRIPTION	DATE	RESP.	APPROVED	TITLE:	
400<D≤1000	±20	0	N/A	First issued	10/10/2024	L&T	Hoyer	HMC3-315L1-4p-B35	
1000<D≤2000	±30							DWG NO.:	
2000<D≤4000	±35							TD-ID-D3574	
4000<D≤8000	±40							A3	
Unit: mm								SCALE:1:10	
Representation of the machine is illustrative only		Protection: IEC 60034-5		Machined Part: ISO 2768		DWG NO.:		Weight: 1078 kg	
Some features may not be represented		Dimension: IEC 60072		Weld Constr: ISO 8015		SCALE:1:10		SHEET 1 OF 1	
For installation or maintenance, consult operation manual		Tolerance: ISO 286		Castings: ISO 8062		Weight: 1078 kg		SHEET 1 OF 1	
Key: IEC 60072									