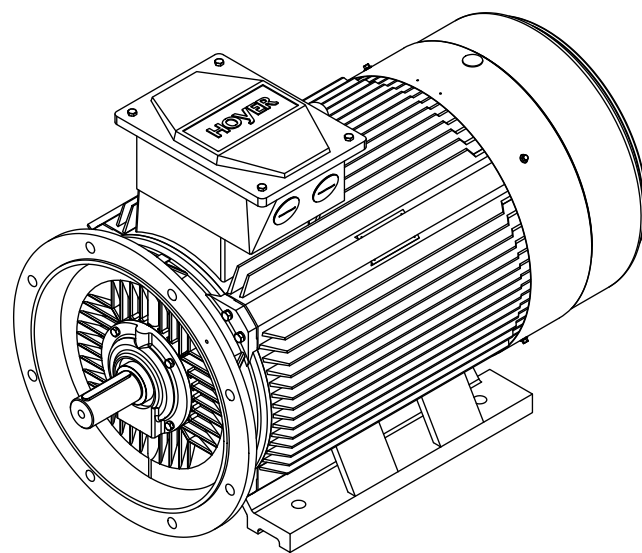




SECTION A-A  
SCALE 1 : 2



Note:

- 1.All dimensions are in mm
- 2.Tolerances not informed on the drawing according to the mounting tolerance table.

Mounting tolerance		 <b>HOYER</b> <small>EXCEEDING EXPECTATIONS</small>		Hoyer Motors			DEBUR AND BREAK SHARP EDGES		DRAWING NOT IN SCALE		
Dimensions range	Tolerance			Over Hadstenvej 42, DK-8370 Hadsten Tel : +45 86982111 Fax: +45 86981779 www.hoyermotors.com					OUTLINE DRAWING		
0<D≤400	±10	REV.	LOCATION	DESCRIPTION	DATE	RESP.	APPROVED	TITLE: <b>HMC3-315L1-2p-B35</b>			
400<D≤1000	±20	0	N/A	First issued	10/10/2024	L&T	Hoyer				
1000<D≤2000	±30										
2000<D≤4000	±35										
4000<D≤8000	±40										
Unit: mm											
 Representation of the machine is illustrative only Some features may not be represented For installation or maintenance, consult operation manual		Protection:		IEC 60034-5	Machined Part:		ISO 2768	DWG NO.: <b>TD-ID-D3574</b>			
		Dimension:		IEC 60072	Weld Constr:		ISO 8015				
		Tolerance:		ISO 286	Castings:		ISO 8062				
		Key:		IEC 60072					SCALE:1:10	Weight: 1009 kg	SHEET 1 OF 1