

1

2

3

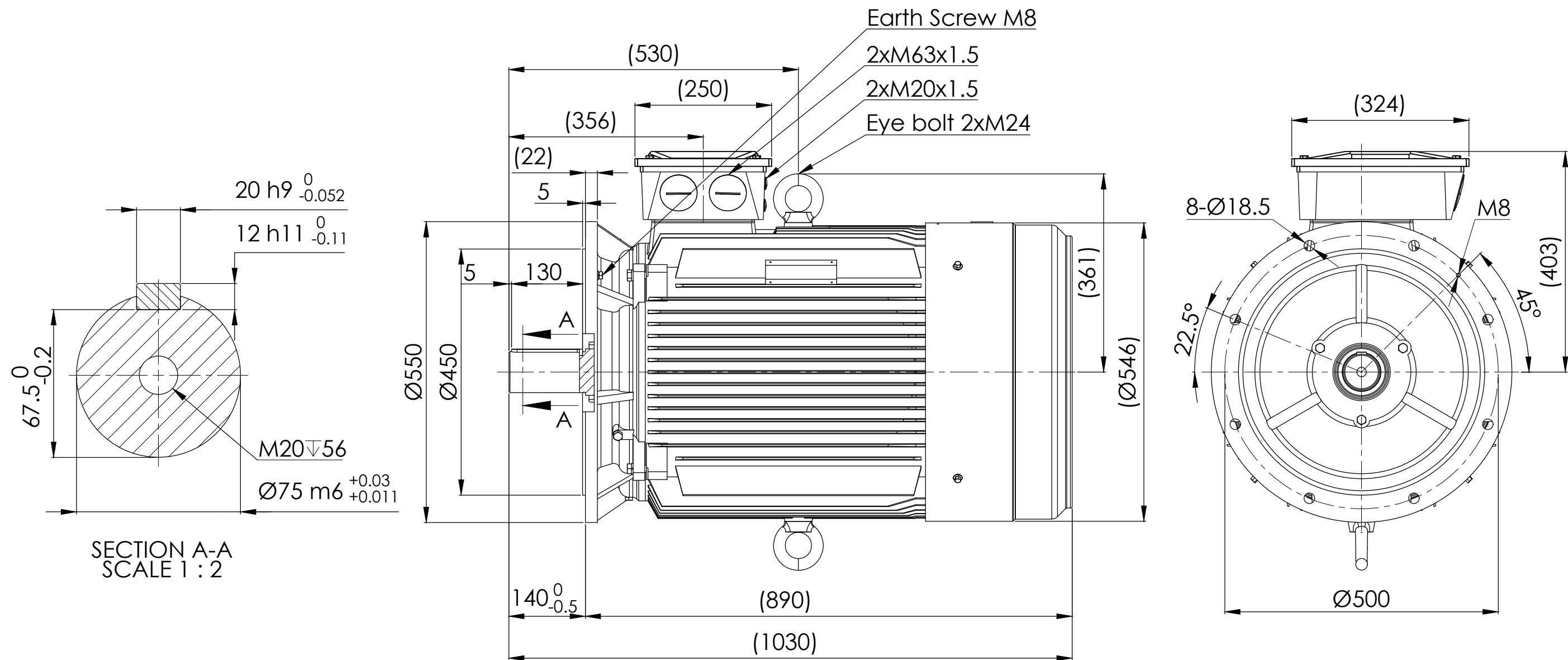
4

5

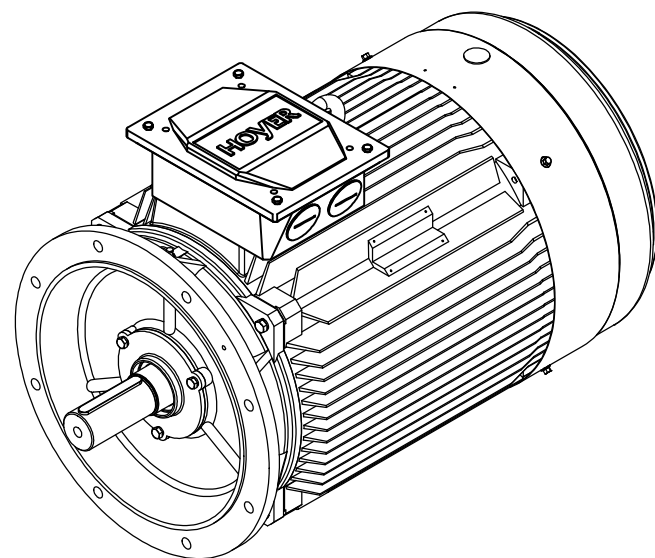
6

7

8





SECTION A-A
SCALE 1 : 2



Note:

1. All dimensions are in mm
2. Tolerances not informed on the drawing according to the mounting tolerance table.

Mounting tolerance				Hoyer Motors			DEBUR AND BREAK SHARP EDGES		DRAWING NOT IN SCALE	
Dimensions range	Tolerance			Over Hadstenvej 42, DK-8370 Hadsten			Tel : +45 86982111		Fax: +45 86981779	
0<D≤400	±10	REV.	LOCATION	DESCRIPTION	DATE	RESP.	APPROVED	TITLE: HMC3-280M-8p-B5 DWG NO.: TD-ID-D3545 A3		
400<D≤1000	±20	0	N/A	First issued	04/10/2024	L&T	Hoyer			
1000<D≤2000	±30									
2000<D≤4000	±35									
4000<D≤8000	±40									
Unit: mm										
 Representation of the machine is illustrative only Some features may not be represented For installation or maintenance, consult operation manual		Protection:		IEC 60034-5	Machined Part:		ISO 2768	SCALE: 1:20 Weight: 560 kg SHEET 1 OF 1		
		Dimension:		IEC 60072	Weld Constr:		ISO 8015			
		Tolerance:		ISO 286	Castings:		ISO 8062			
		Key:		IEC 60072						