

1

2

3

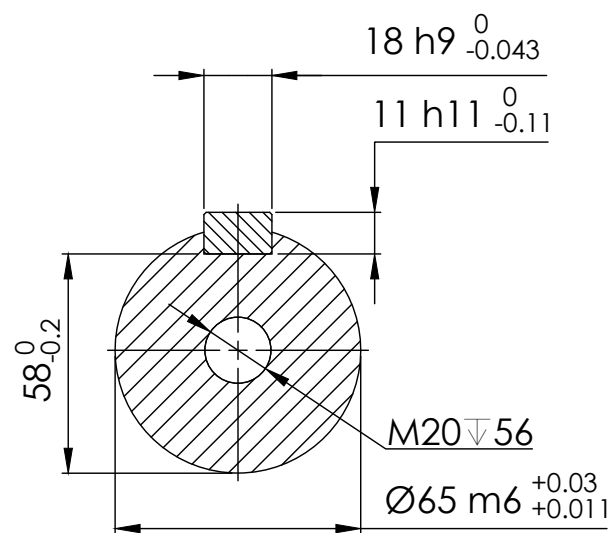
4

5

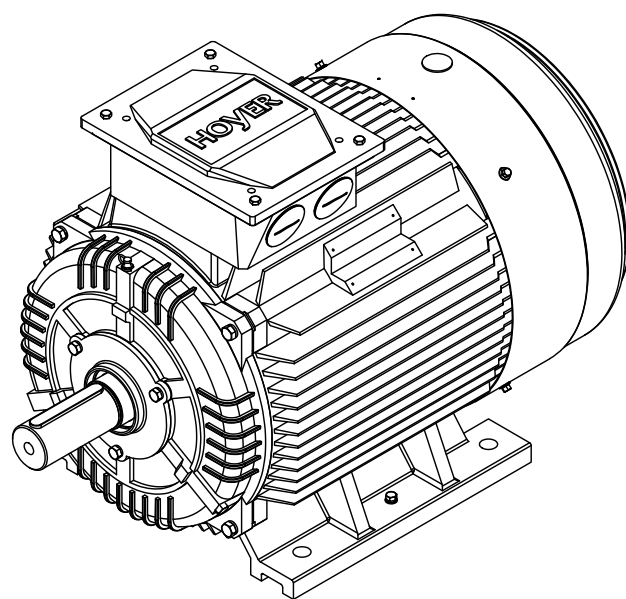
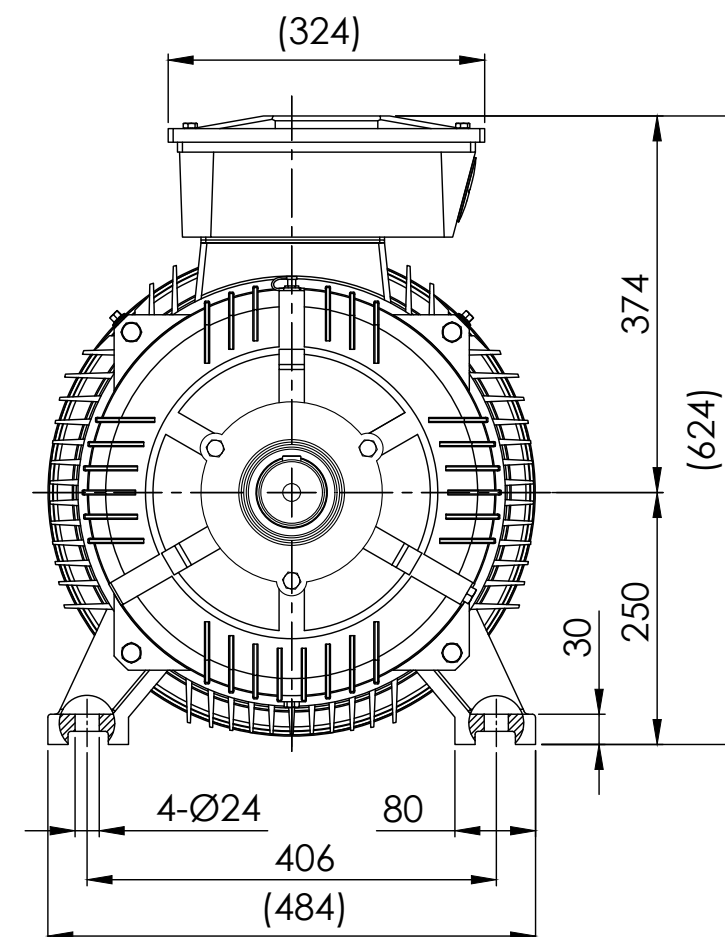
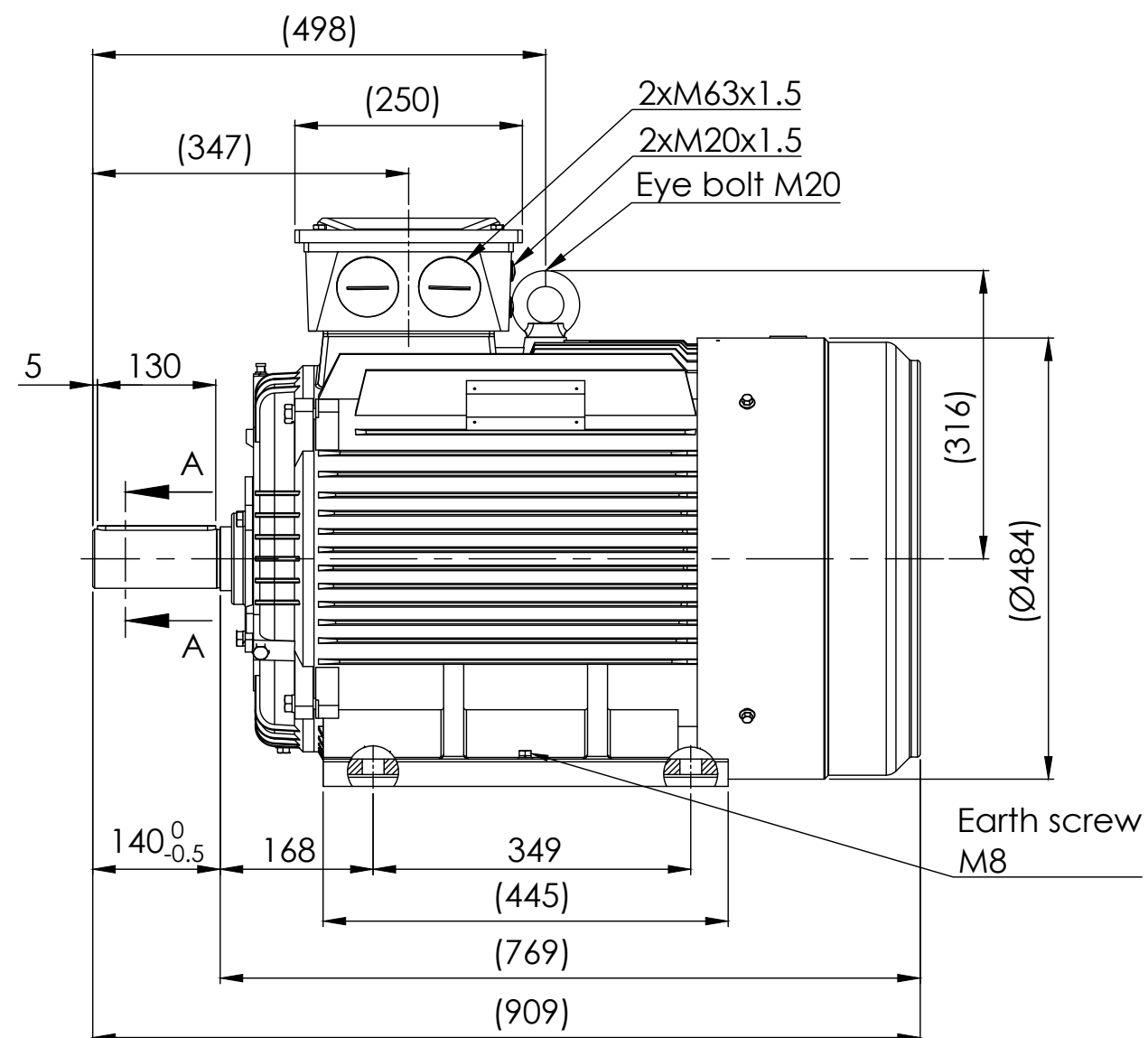
6

7

8





SECTION A-A  
SCALE 1 : 2



Note:

1. All dimensions are in mm
2. Tolerances not informed on the drawing according to the mounting tolerance table.

Mounting tolerance		 <small>EXCEEDING EXPECTATIONS</small>		Hoyer Motors			DEBUR AND BREAK SHARP EDGES		DRAWING NOT IN SCALE	
Dimensions range	Tolerance			REV.	LOCATION	DESCRIPTION	DATE	RESP.	APPROVED	OUTLINE DRAWING
0<D≤400	±10	0	N/A	First issued	02/10/2024	L&T	Hoyer	TITLE: HMC3-250M-8p-B3		
400<D≤1000	±20	1	DK	Revised lid dimensions	22/01/2026	NKH	MOK	DWG NO.: TD-ID-D3533		
1000<D≤2000	±30							A3		
2000<D≤4000	±35							SCALE:1:10		
4000<D≤8000	±40							Weight: 437 kg		
Unit: mm								SHEET 1 OF 1		
		Representation of the machine is illustrative only			Protection:	IEC 60034-5	Machined Part:	ISO 2768	DWG NO.: TD-ID-D3533	
		Some features may not be represented			Dimension:	IEC 60072	Weld Constr:	ISO 8015		
		For installation or maintenance, consult operation manual			Tolerance:	ISO 286	Castings:	ISO 8062		
					Key:	IEC 60072				