

1

2

3

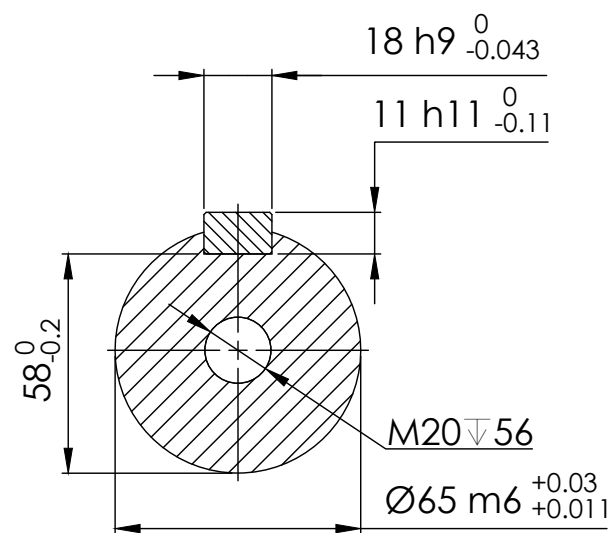
4

5

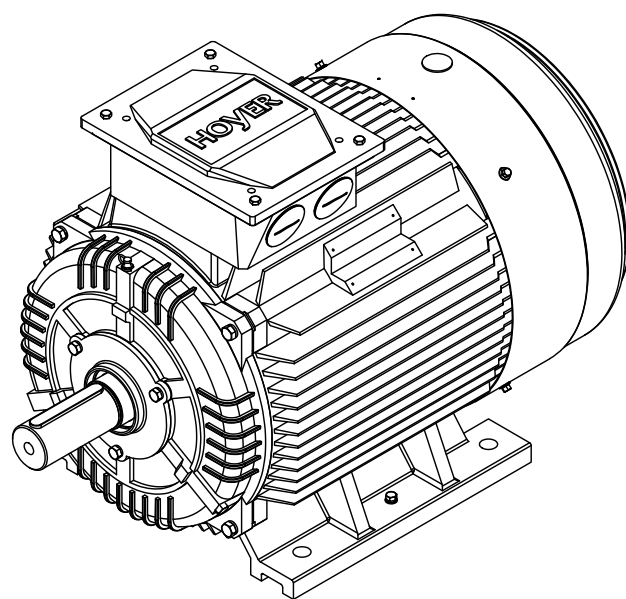
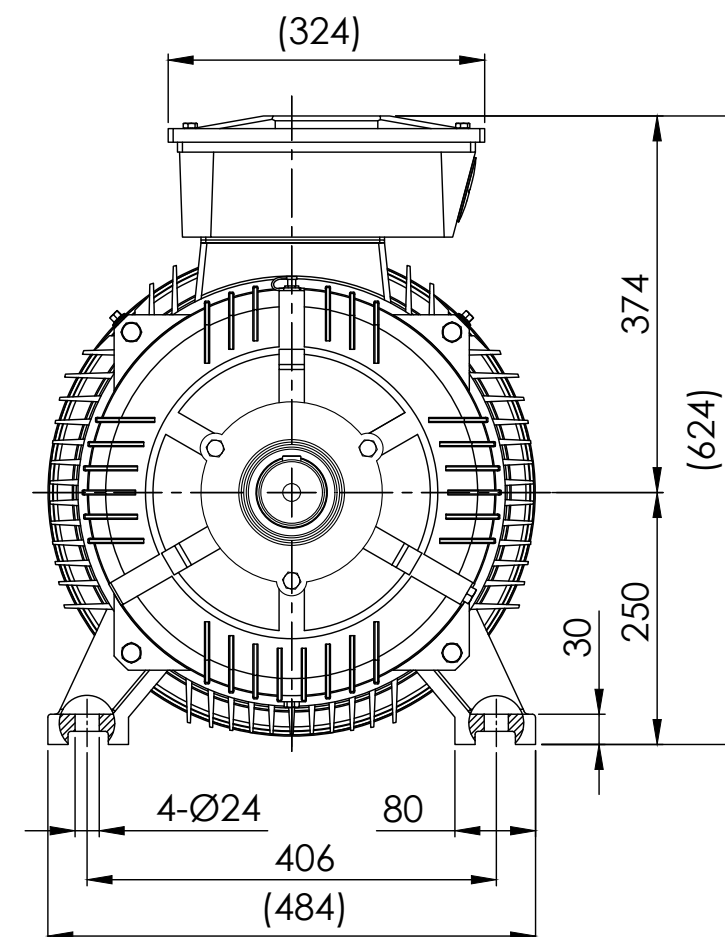
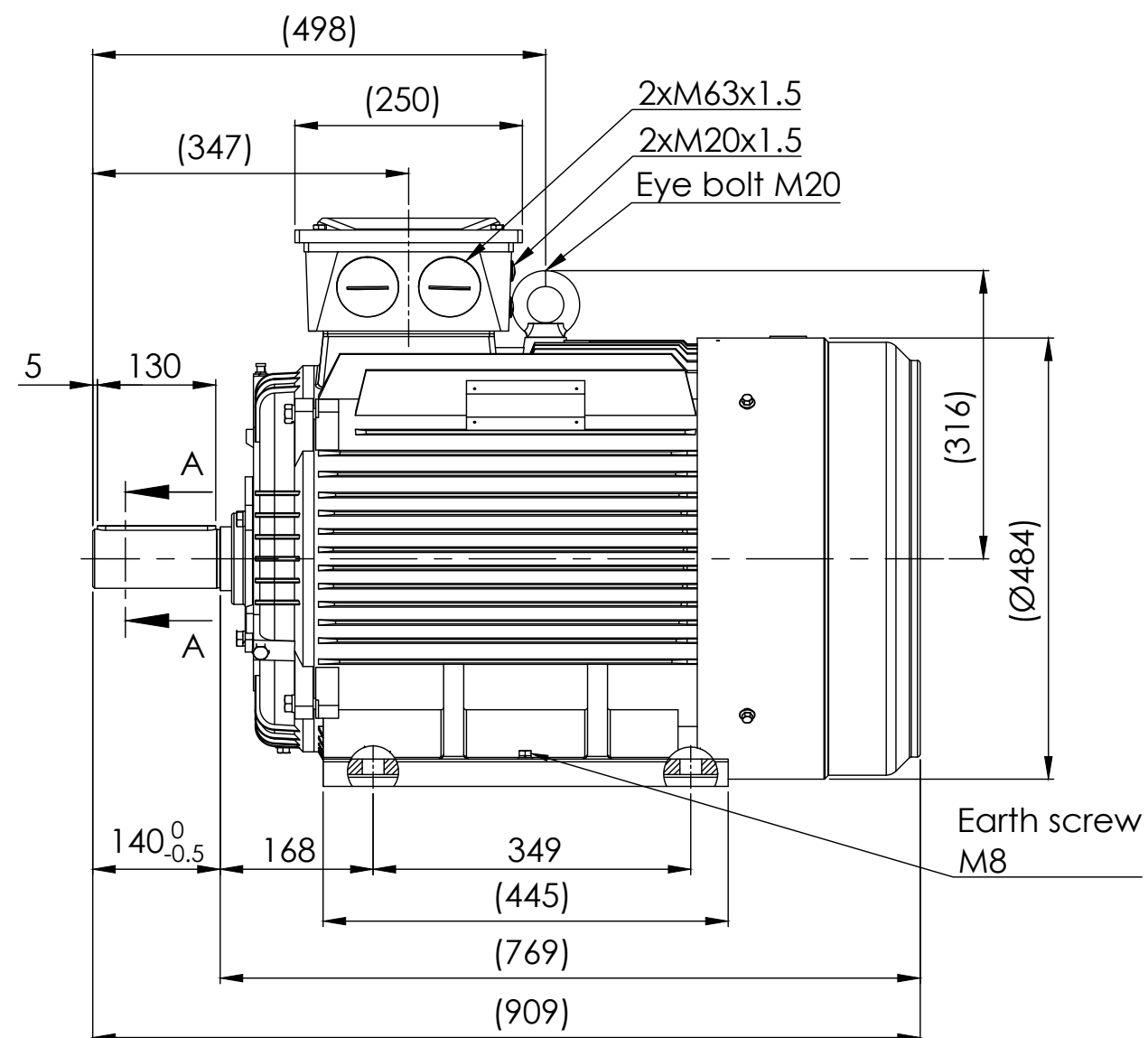
6

7

8





SECTION A-A
SCALE 1 : 2



Note:

- 1.All dimensions are in mm
- 2.Tolerances not informed on the drawing according to the mounting tolerance table.

Mounting tolerance		 <small>EXCEEDING EXPECTATIONS</small>		Hoyer Motors			DEBUR AND BREAK SHARP EDGES		DRAWING NOT IN SCALE	
Dimensions range	Tolerance			REV.	LOCATION	DESCRIPTION	DATE	RESP.	APPROVED	OUTLINE DRAWING
0<D≤400	±10	0	N/A	First issued	02/10/2024	L&T	Hoyer	TITLE:		
400<D≤1000	±20	1	DK	Revised lid dimensions	22/01/2026	NKH	MOK	02/10/2024 HMC3-250M-4p-B3		
1000<D≤2000	±30							DWG NO.:		
2000<D≤4000	±35							TD-ID-D90063		
4000<D≤8000	±40							A3		
Unit: mm								SCALE:1:10		
 Representation of the machine is illustrative only Some features may not be represented For installation or maintenance, consult operation manual		Protection:		IEC 60034-5	Machined Part:		ISO 2768		SHEET 1 OF 1	
		Dimension:		IEC 60072	Weld Constr:		ISO 8015			
		Tolerance:		ISO 286	Castings:		ISO 8062			
		Key:		IEC 60072			Weight: 456 kg			