

1

2

3

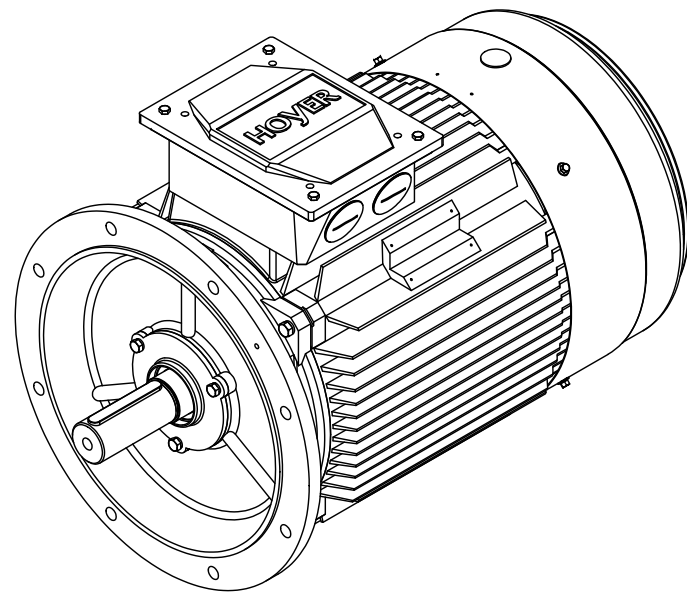
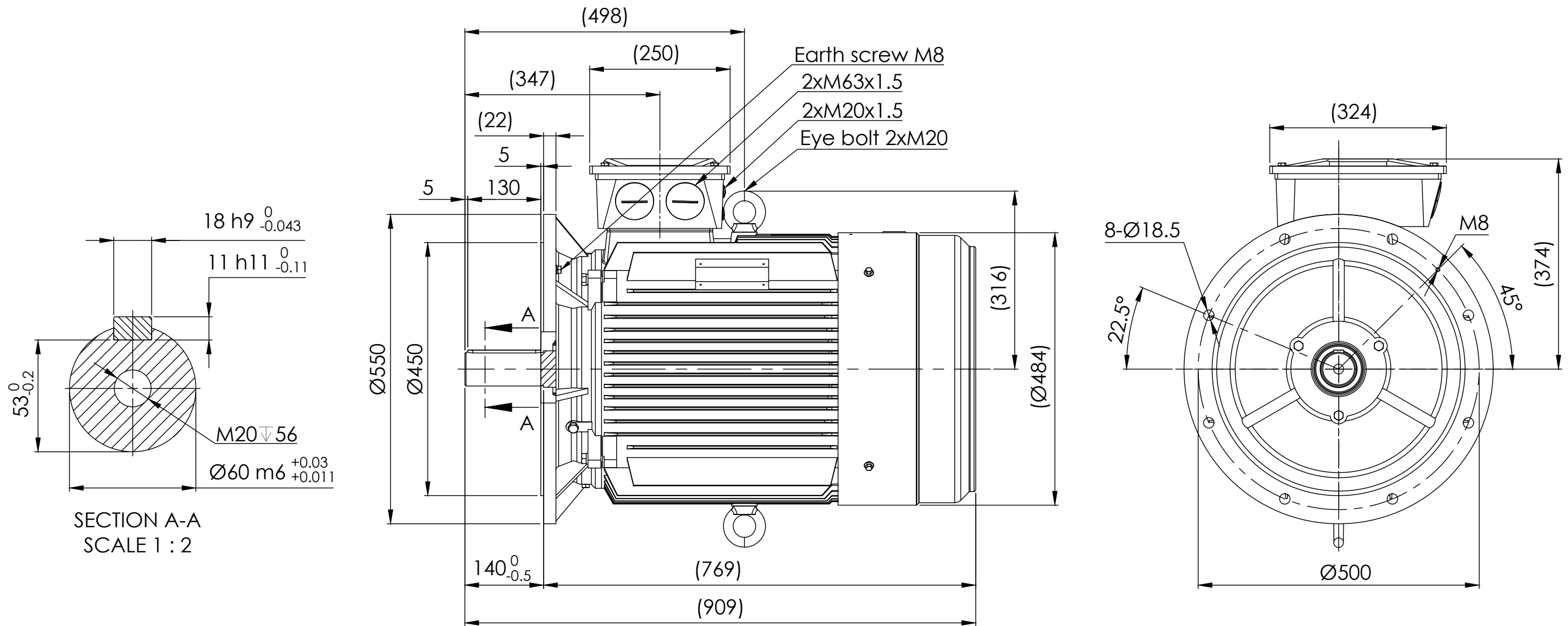
4

5

6

7

8



Note:

- All dimensions are in mm
- Tolerances not informed on the drawing according to the mounting tolerance table.

Mounting tolerance		HOYER EXCEEDING EXPECTATIONS		Hoyer Motors			DEBUR AND BREAK SHARP EDGES		DRAWING NOT IN SCALE	
Dimensions range	Tolerance	Over Hadstenevej 42, DK-8370 Hadsten			Tel : +45 86982111		Fax: +45 86981779		www.hoyermotors.com	
0<D≤400	±10	REV.	LOCATION	DESCRIPTION	DATE	RESP.	APPROVED	TITLE:		
400<D≤1000	±20	0	N/A	First issued	04/10/2024	L&T	Hoyer	HMC3-250M-2p-B5		
1000<D≤2000	±30	1	DK	Revised lid dimensions	22/01/2026	NKH	MOK	DWG NO.:		
2000<D≤4000	±35							TD-ID-D90061		
4000<D≤8000	±40							A3		
Unit: mm										
		Representation of the machine is illustrative only			Protection:	IEC 60034-5	Machined Part:	ISO 2768	SCALE:1:10	
		Some features may not be represented			Dimension:	IEC 60072	Weld Constr:	ISO 8015	Weight: 407 kg	
		For installation or maintenance, consult operation manual			Tolerance:	ISO 286	Castings:	ISO 8062	SHEET 1 OF 1	
					Key:	IEC 60072				