

1

2

3

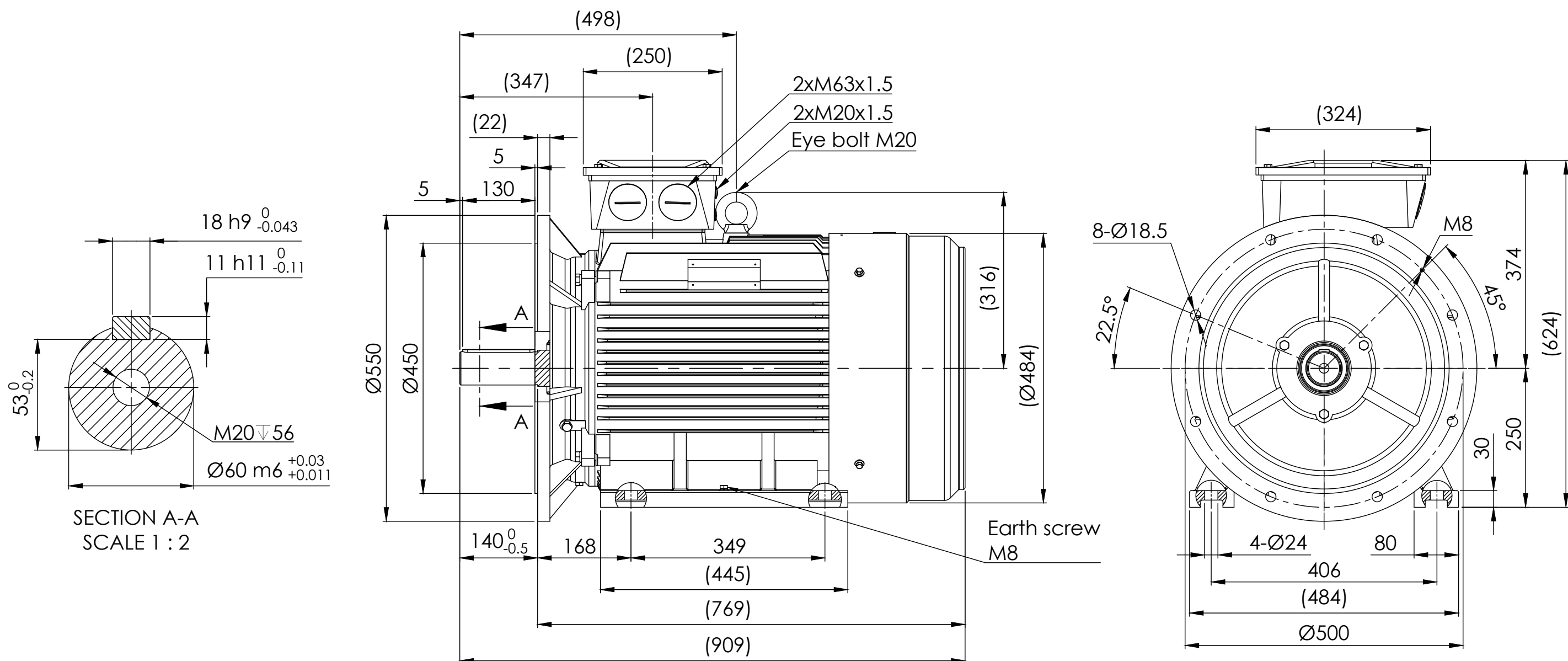
4

5

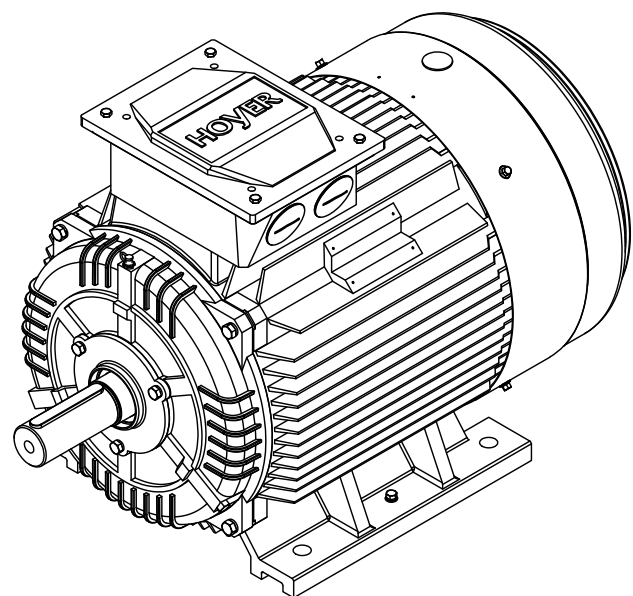
6

7

8





SECTION A-A
SCALE 1 : 2



Note:

- All dimensions are in mm
- Tolerances not informed on the drawing according to the mounting tolerance table.

Mounting tolerance		 <small>EXCEEDING EXPECTATIONS</small>		Hoyer Motors			DEBUR AND BREAK SHARP EDGES		DRAWING NOT IN SCALE	
Dimensions range	Tolerance			REV.	LOCATION	DESCRIPTION	DATE	RESP.	APPROVED	OUTLINE DRAWING
0<D≤400	±10	0	N/A	First issued	04/10/2024	L&T	Hoyer	TITLE: HMC3-250M-2p-B35		
400<D≤1000	±20	1	DK	revised lid dimensions	22/01/2026	NKH	MOK	DWG NO.: TD-ID-D90059		
1000<D≤2000	±30							A3		
2000<D≤4000	±35							SCALE:1:10		
4000<D≤8000	±40							Weight: 407 kg		
Unit: mm								SHEET 1 OF 1		
		Representation of the machine is illustrative only			Protection:	IEC 60034-5	Machined Part:	ISO 2768	DWG NO.:	
		Some features may not be represented			Dimension:	IEC 60072	Weld Constr:	ISO 8015	TD-ID-D90059	
		For installation or maintenance, consult operation manual			Tolerance:	ISO 286	Castings:	ISO 8062	A3	
					Key:	IEC 60072				