

1

2

3

4

5

6

7

8

A

B

C

D

E

F

A

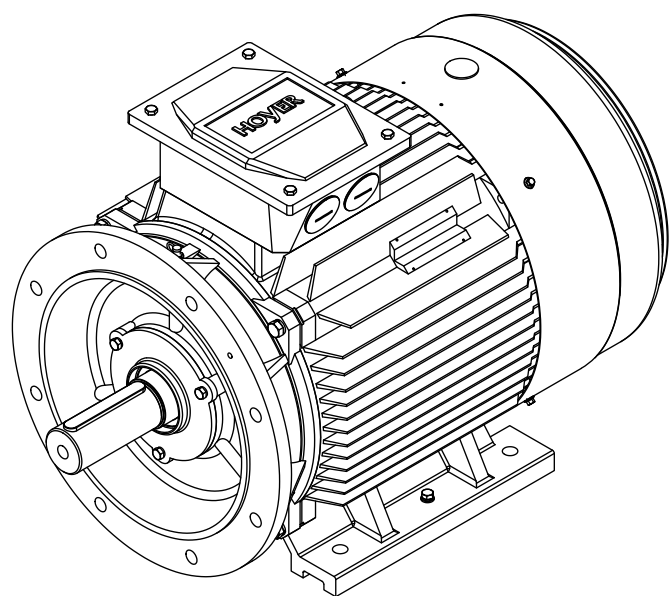
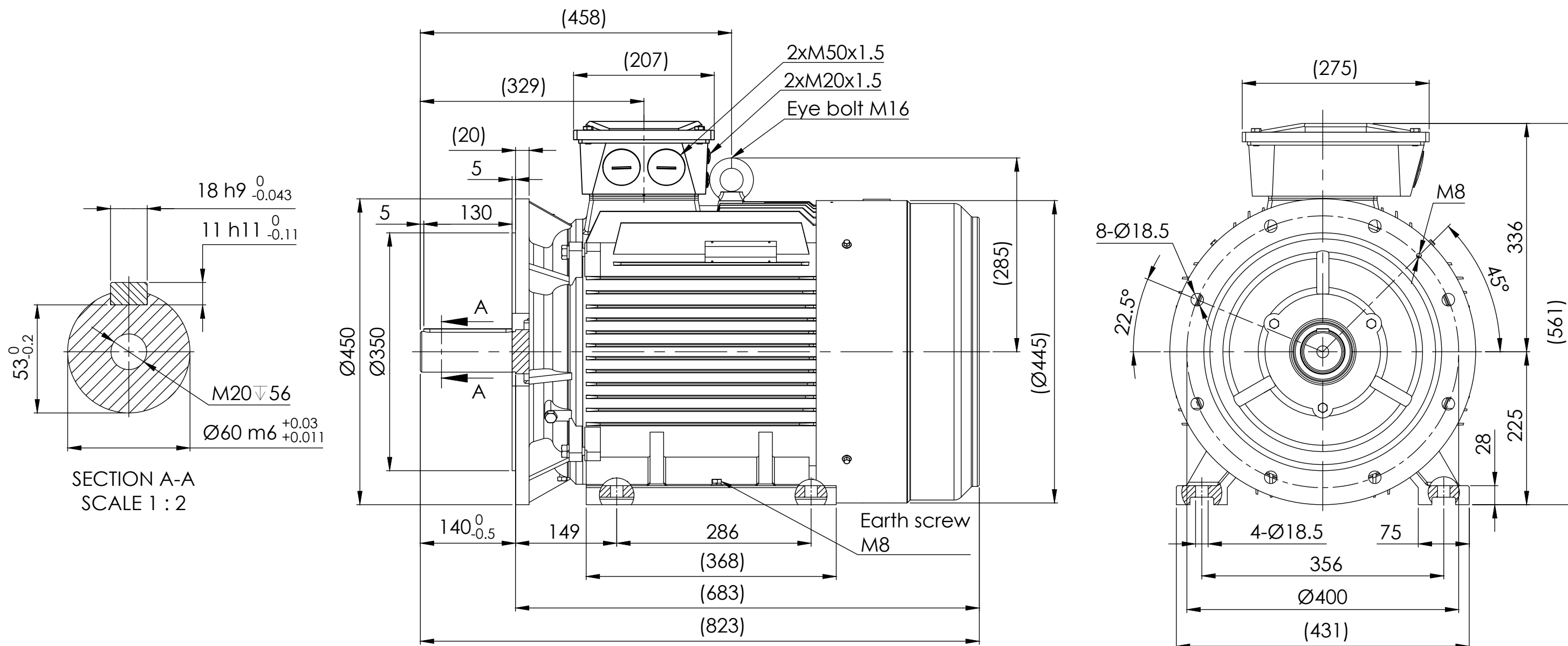
B

C

D


E

F



#### Note:

- All dimensions are in mm
- Tolerances not informed on the drawing according to the mounting tolerance table.

Mounting tolerance		Hoyer Motors		DEBUR AND BREAK SHARP EDGES		DRAWING NOT IN SCALE	
Dimensions range	Tolerance	 Hoyer Motors Over Hadstenevej 42, DK-8370 Hadsten Tel : +45 86982111 Fax: +45 86981779 www.hoyermotors.com		APPROVED Hoyer		OUTLINE DRAWING	
0<D≤400	±10					TITLE:	
400<D≤1000	±20					HMC3-225S-8p-B35	
1000<D≤2000	±30					DWG NO.:	
2000<D≤4000	±35					TD-ID-D3528	
4000<D≤8000	±40	A3					
Unit: mm		Representation of the machine is illustrative only		Protection: IEC 60034-5		Machined Part: ISO 2768	
		Some features may not be represented		Dimension: IEC 60072		Weld Constr: ISO 8015	
		For installation or maintenance, consult operation manual		Tolerance: ISO 286		Castings: ISO 8062	
				Key: IEC 60072		SCALE:1:10	
						Weight: 265kg	
						SHEET 1 OF 1	