

1

2

3

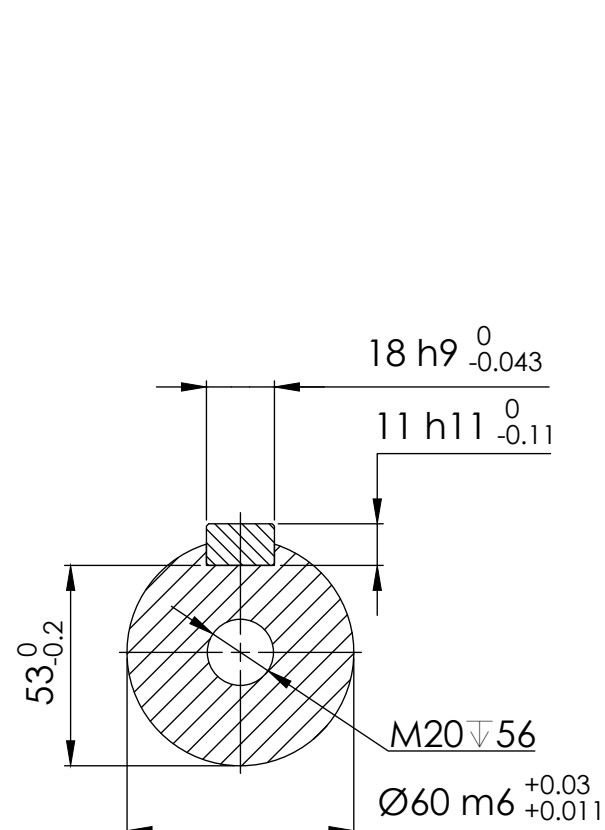
4

5

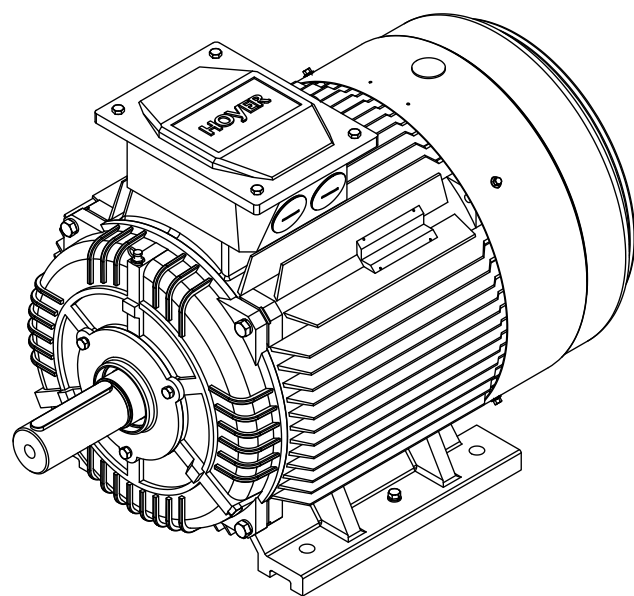
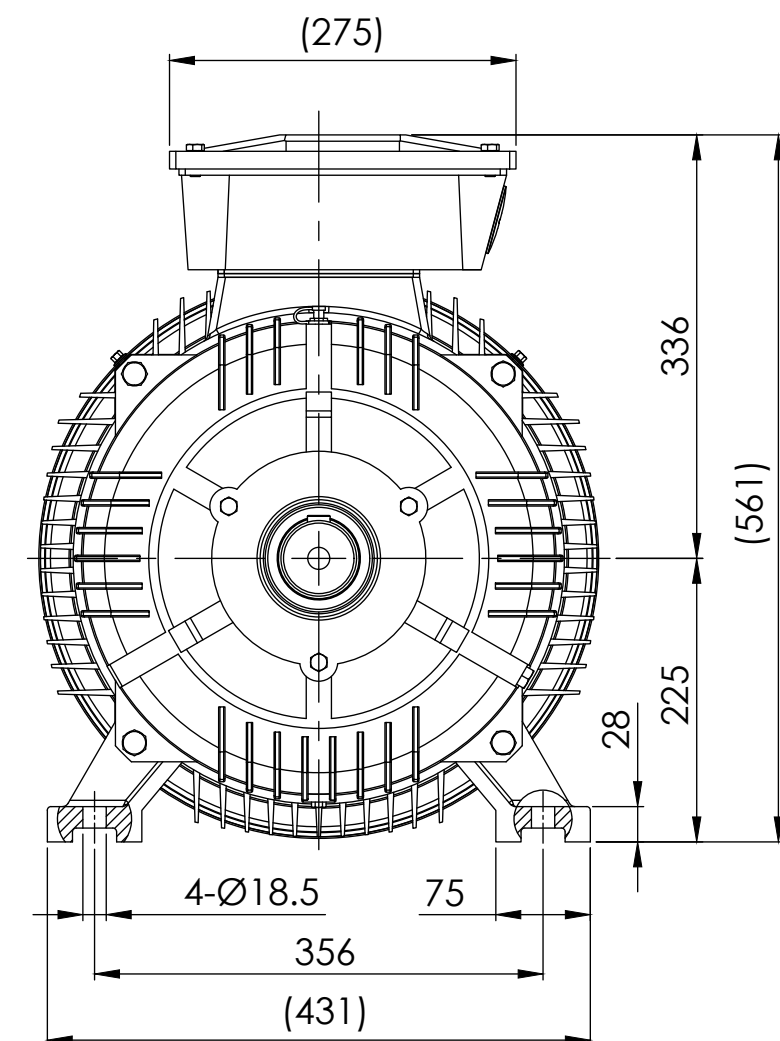
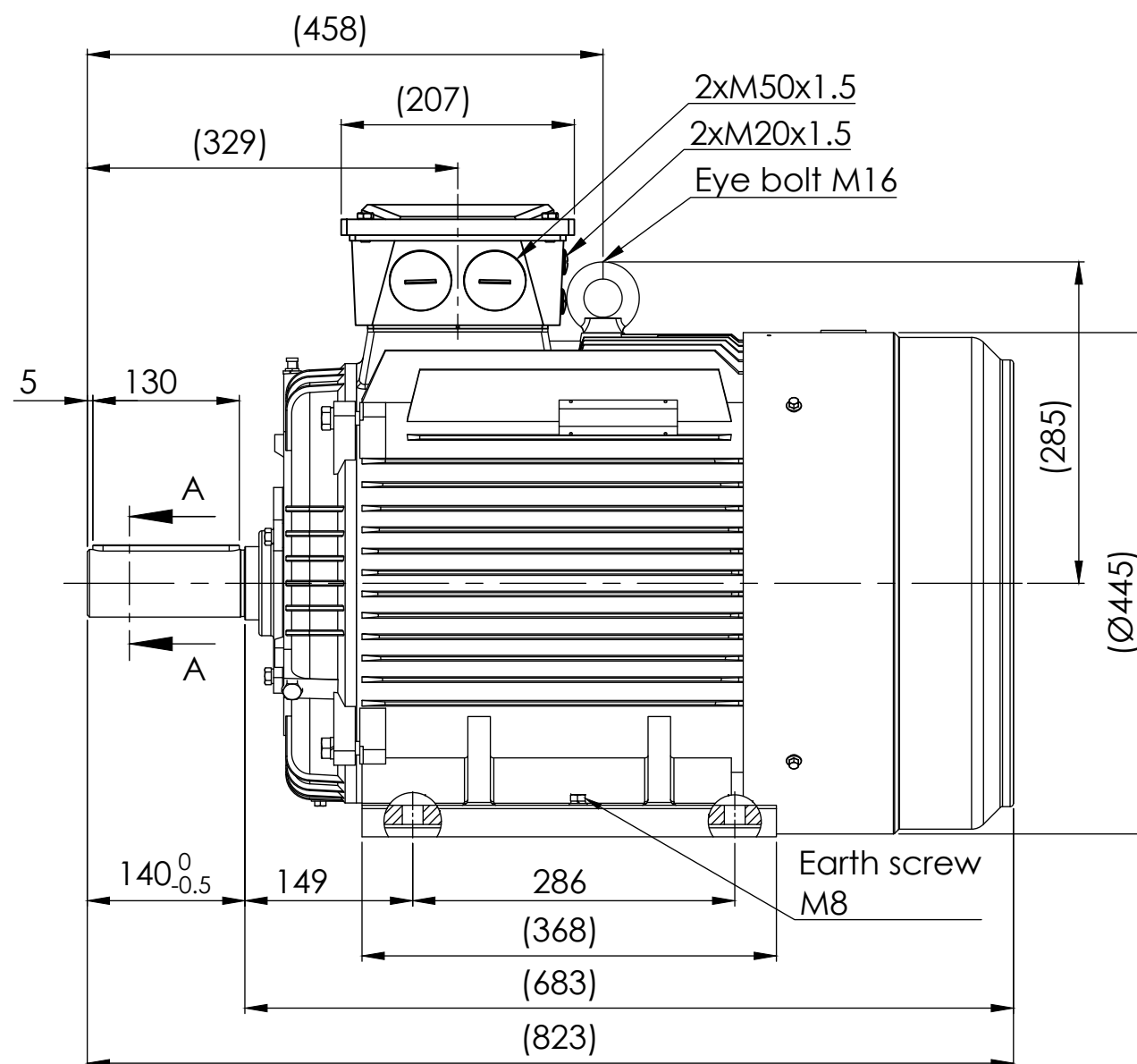
6

7

8





SECTION A-A
SCALE 1 : 2



Note:

1.All dimensions are in mm

2.Tolerances not informed on the drawing according to the mounting tolerance table.

Mounting tolerance				Hoyer Motors			DEBUR AND BREAK SHARP EDGES		DRAWING NOT IN SCALE	
Dimensions range	Tolerance			REV.	LOCATION	DESCRIPTION	DATE	RESP.	APPROVED	OUTLINE DRAWING
0<D≤400	±10	0	N/A	First issued	30/09/2024	L&T	Hoyer	TITLE: HMC3-225S-8p-B3		
400<D≤1000	±20							DWG NO.: TD-ID-D3520		
1000<D≤2000	±30							A3		
2000<D≤4000	±35							SCALE:1:10		
4000<D≤8000	±40							Weight: 265 kg		
Unit: mm								SHEET 1 OF 1		
				Representation of the machine is illustrative only		Protection:	IEC 60034-5	Machined Part:	ISO 2768	DWG NO.: TD-ID-D3520 A3 SCALE:1:10 Weight: 265 kg SHEET 1 OF 1
				Some features may not be represented		Dimension:	IEC 60072	Weld Constr:	ISO 8015	
				For installation or maintenance, consult operation manual		Tolerance:	ISO 286	Castings:	ISO 8062	
						Key:	IEC 60072			