

1

2

3

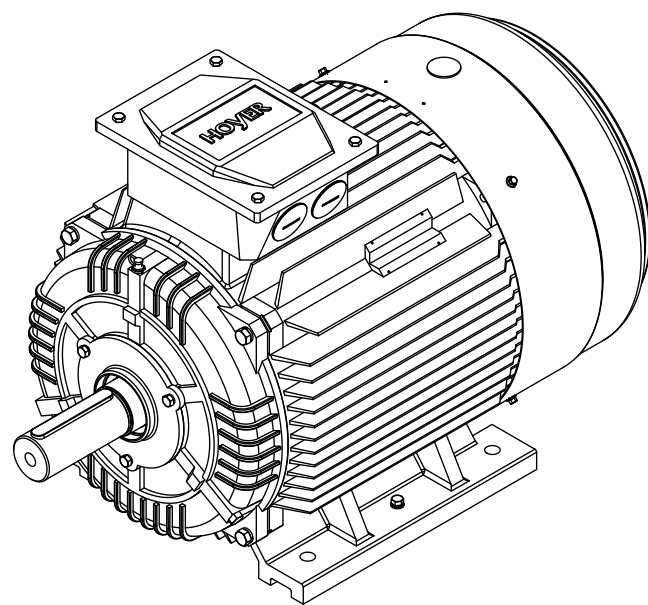
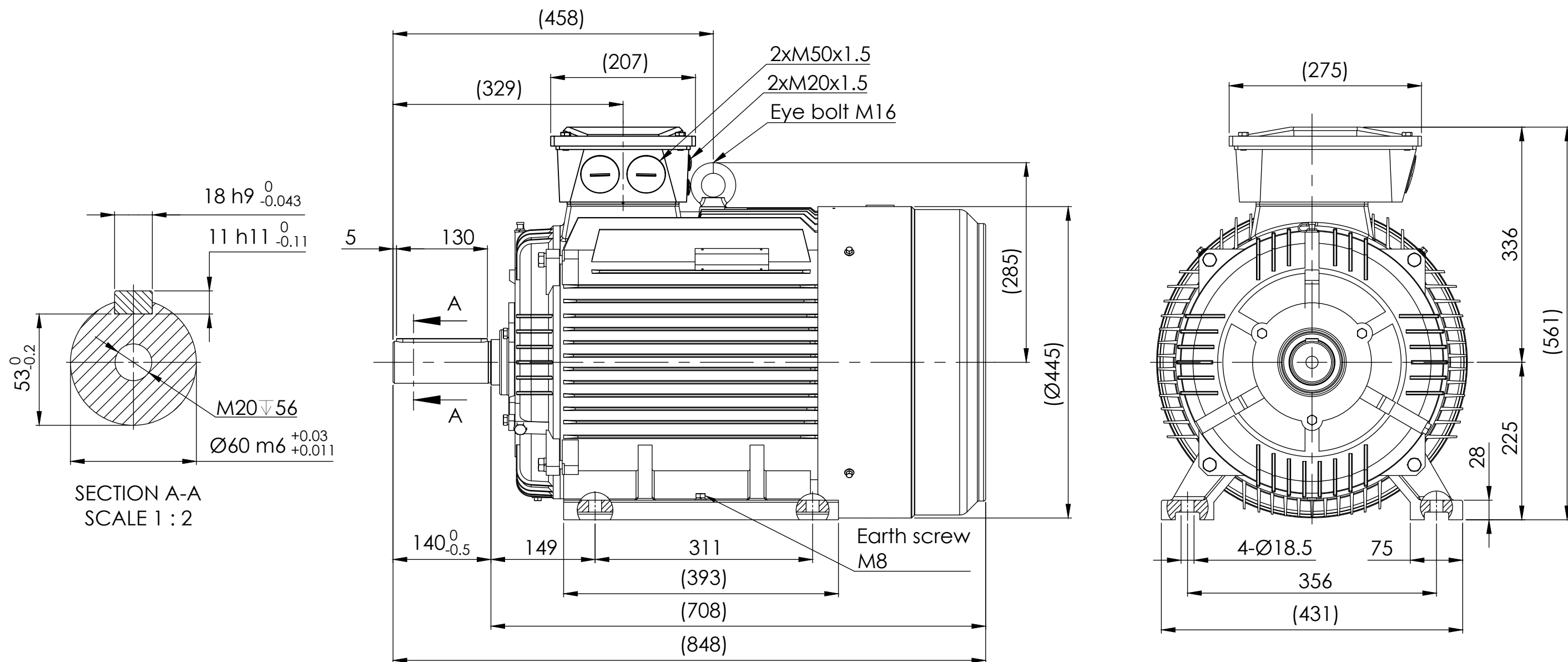
4

5

6

7

8



**Note:**

- All dimensions are in mm
- Tolerances not informed on the drawing according to the mounting tolerance table.

| Mounting tolerance  |           | Hoyer Motors            |          | DEBUR AND BREAK SHARP EDGES          |            | DRAWING NOT IN SCALE |          |
|---|-----------|-------------------------|----------|--------------------------------------|------------|----------------------|----------|
| Dimensions range  | Tolerance | Hoyer Motors            |          | Over Hadstenevej 42, DK-8370 Hadsten |            | OUTLINE DRAWING      |          |
| 0<D≤400   | ±10       | Tel : +45 86982111      |          | Fax: +45 86981779                    |            | TITLE:               |          |
| 400<D≤1000  | ±20       | www.hoyermotors.com     |          | www.hoyermotors.com                  |            | HMC3-225M-8p-B3      |          |
| 1000<D≤2000   | ±30       | REV.                    | LOCATION | DESCRIPTION                          | DATE       | RESP.                | APPROVED |
| 2000<D≤4000   | ±35       | 0                       | N/A      | First issued                         | 30/09/2024 | L&T                  | Hoyer    |
| 4000<D≤8000   | ±40       |                         |          |                                      |            |                      |          |
| Unit: mm  |           |                         |          |                                      |            |                      |          |
| Representation of the machine is illustrative only        |           | Protection: IEC 60034-5 |          | Machined Part: ISO 2768              |            | DWG NO.:             |          |
| Some features may not be represented                      |           | Dimension: IEC 60072    |          | Weld Constr: ISO 8015                |            | TD-ID-D3518          |          |
| For installation or maintenance, consult operation manual |           | Tolerance: ISO 286      |          | Castings: ISO 8062                   |            | A3                   |          |
| Key: IEC 60072  |           |                         |          |                                      |            | SCALE:1:10           |          |
|   |           |                         |          |                                      |            | Weight: 312 kg       |          |
|   |           |                         |          |                                      |            | SHEET 1 OF 1         |          |