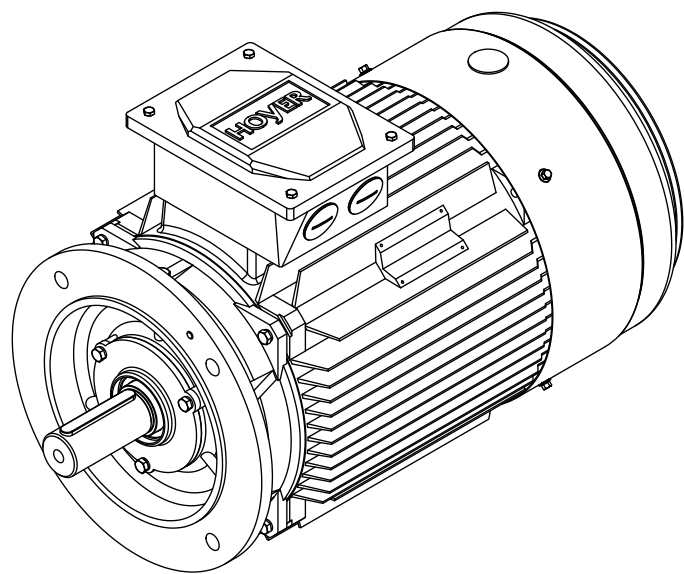
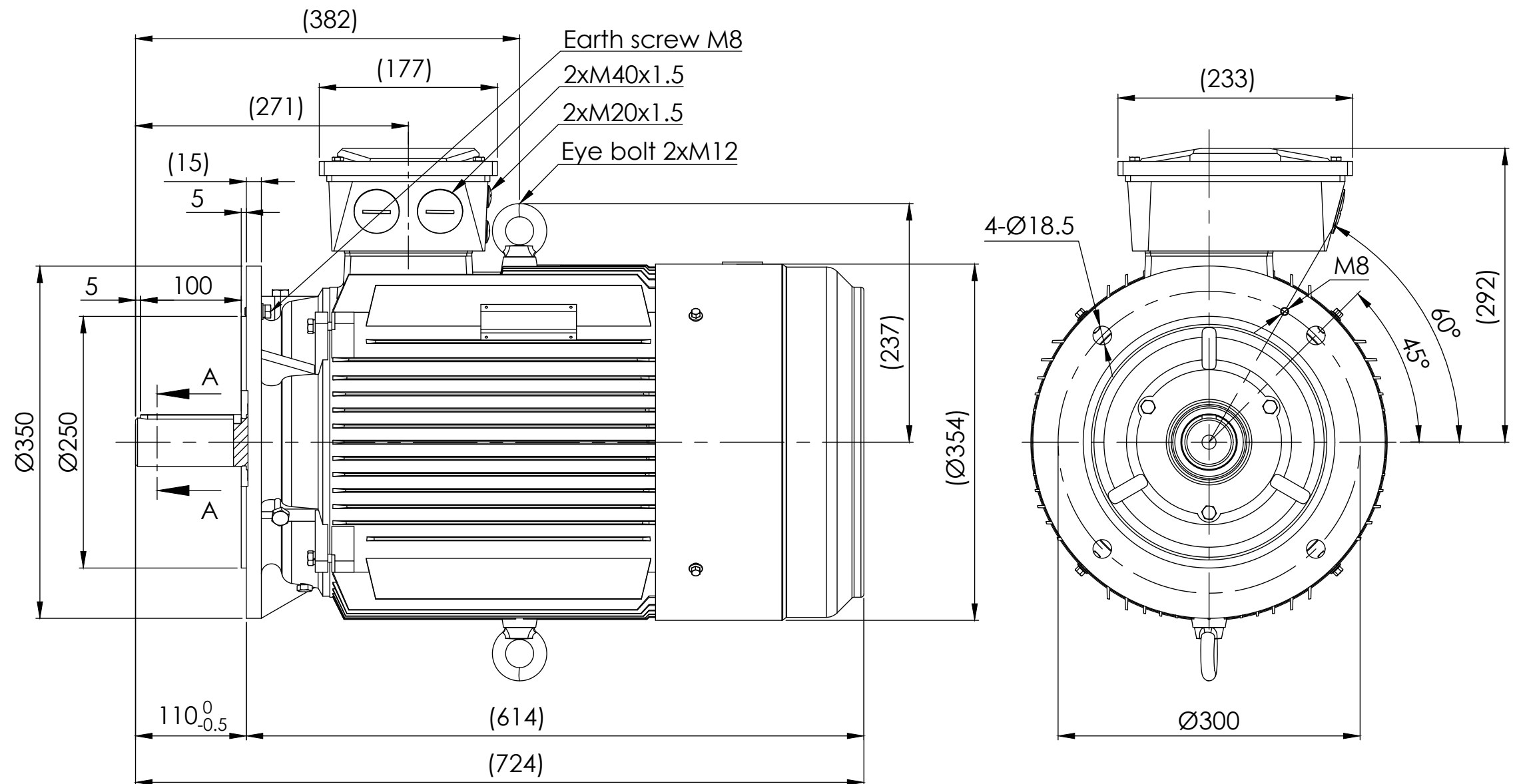



SECTION A-A  
SCALE 1 : 2



Note:

- 1.All dimensions are in mm
- 2.Tolerances not informed on the drawing according to the mounting tolerance table.

Mounting tolerance		 EXCEEDING EXPECTATIONS	<b>Hoyer Motors</b> Over Hadstenevej 42, DK-8370 Hadsten Tel : +45 86982111 Fax: +45 86981779 www.hoyermotors.com				DEBUR AND BREAK SHARP EDGES	DRAWING NOT IN SCALE	
Dimensions range	Tolerance		TITLE: <b>HMC3-180L-6p-B5</b>						
0<D≤400	±10		REV.	LOCATION	DESCRIPTION	DATE	RESP.	APPROVED	DWG NO.: <b>TD-ID-D3488</b>
400<D≤1000	±20		0	N/A	First issued	25/09/2024	L&T	Hoyer	
1000<D≤2000	±30								
2000<D≤4000	±35								
4000<D≤8000	±40							SCALE:1:10    Weight: 186 kg    SHEET 1 OF 1	
Unit: mm		Representation of the machine is illustrative only		Protection: IEC 60034-5		Machined Part: ISO 2768			
		Some features may not be represented		Dimension: IEC 60072		Weld Constr: ISO 8015			
		For installation or maintenance, consult operation manual		Tolerance: ISO 286		Castings: ISO 8062			
				Key: IEC 60072					