

A

B

C

D

E

F

A

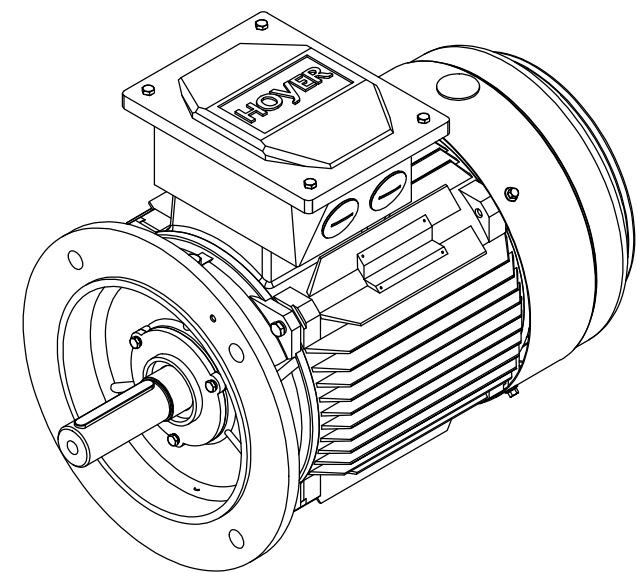
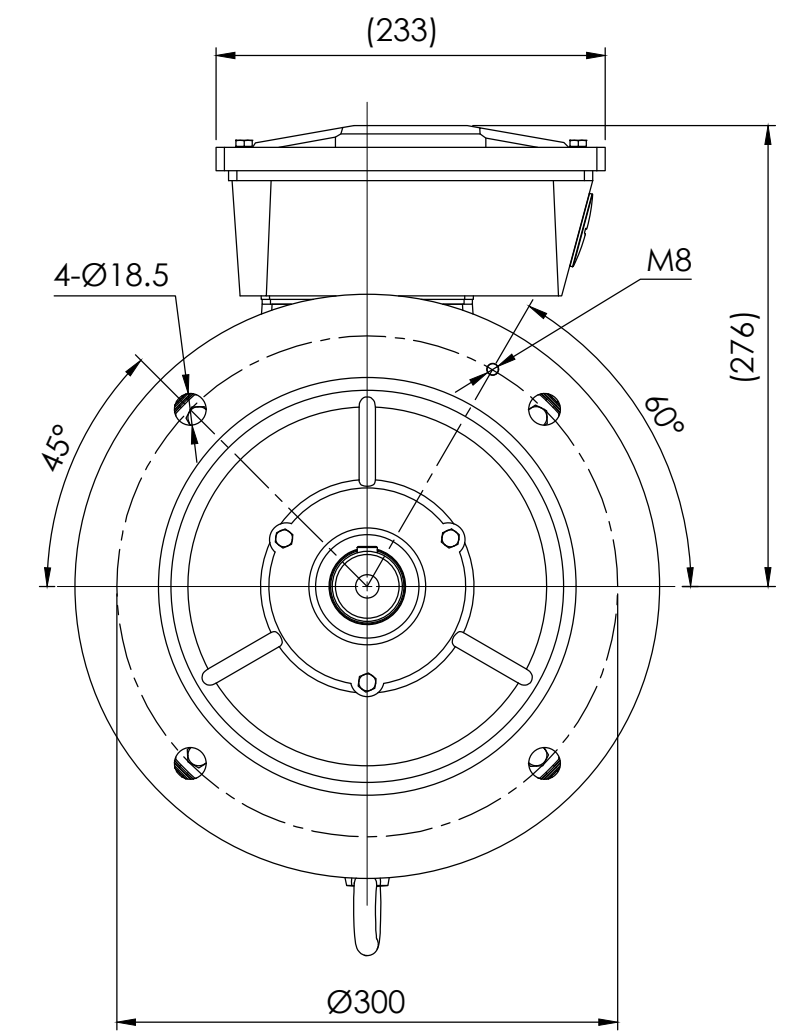
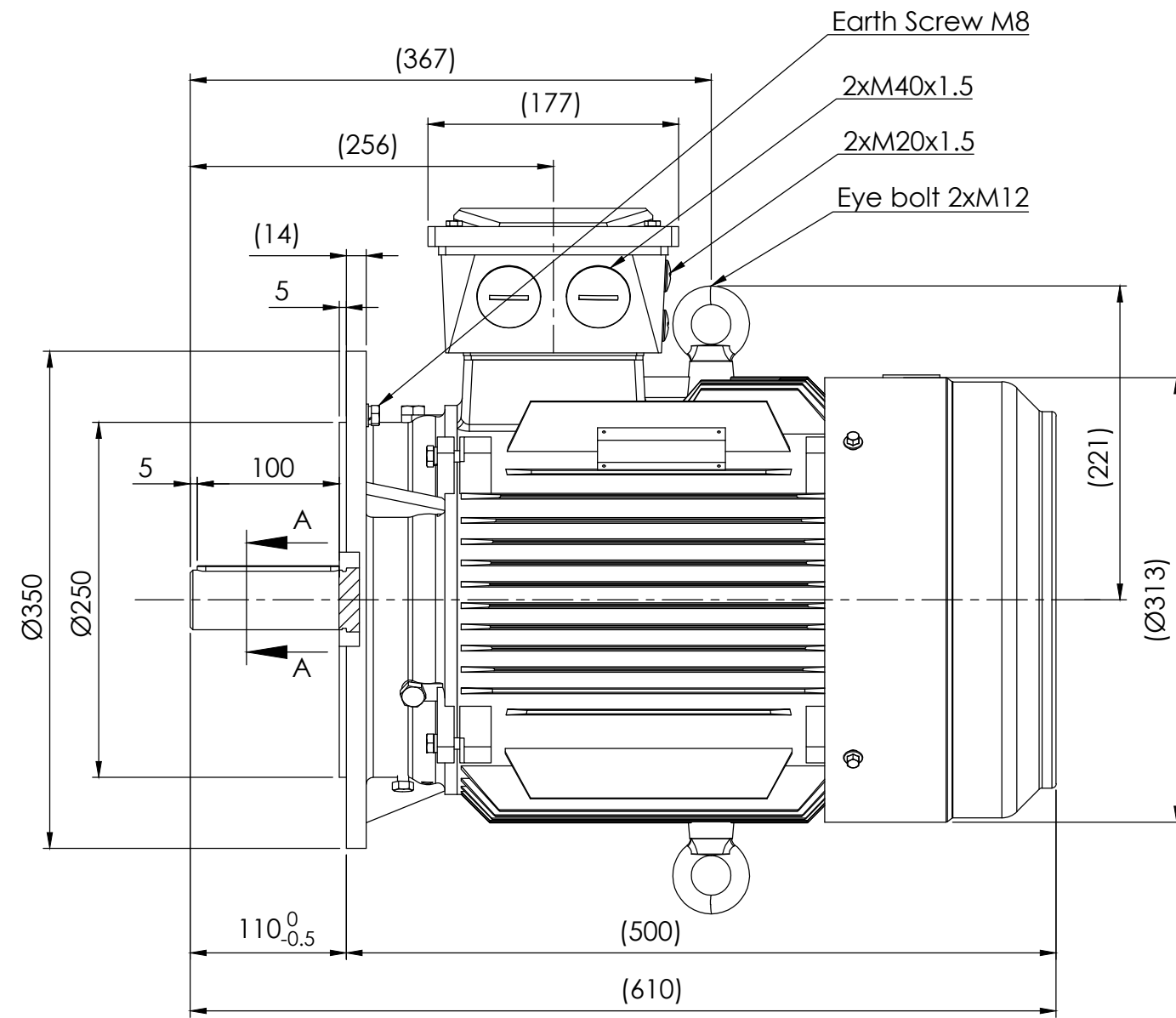
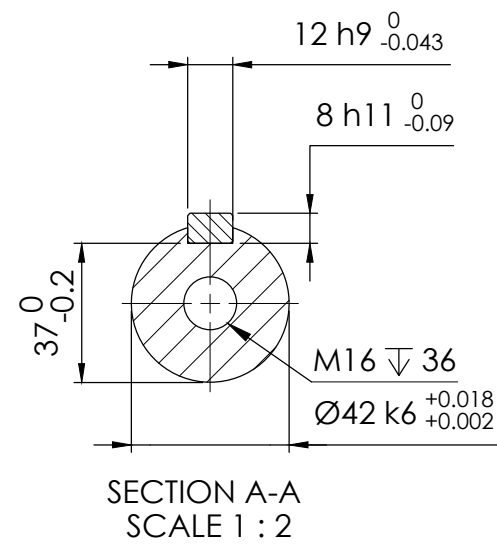
B

C

D



E

F



Note:

- 1.All dimensions are in mm
- 2.Tolerances not informed on the drawing according to the mounting tolerance table.

|   |           |   |          |   |                |       |                             |                            |                      |  |
|---|-----------|---|----------|---|----------------|-------|-----------------------------|----------------------------|----------------------|--|
| Mounting tolerance  |           |  |          | Hoyer Motors  |                |       | DEBUR AND BREAK SHARP EDGES |                            | DRAWING NOT IN SCALE |  |
| Dimensions range  | Tolerance |   |          | Over Hadstenvej 42, DK-8370 Hadsten<br>Tel : +45 86982111<br>Fax: +45 86981779<br>www.hoyermotors.com |                |       |                             |                            | OUTLINE DRAWING      |  |
| 0<D≤400   | ±10       | REV.  | LOCATION | DESCRIPTION   | DATE           | RESP. | APPROVED                    | TITLE:<br>HMC3-160M1-8p-B5 |                      |  |
| 400<D≤1000  | ±20       | 0   | N/A      | First issued  | 24/09/2024     | L&T   | Hoyer                       |                            |                      |  |
| 1000<D≤2000   | ±30       |   |          |   |                |       |                             |                            |                      |  |
| 2000<D≤4000   | ±35       |   |          |   |                |       |                             |                            |                      |  |
| 4000<D≤8000   | ±40       |   |          |   |                |       |                             | DWG NO.:<br>TD-ID-D3462    |                      |  |
| Unit: mm  |           |   |          |   |                |       |                             |                            |                      |  |
|  Representation of the machine is illustrative only<br>Some features may not be represented<br>For installation or maintenance, consult operation manual |           | Protection:   |          | IEC 60034-5   | Machined Part: |       | ISO 2768                    | SCALE:1:10                 |                      |  |
|   |           | Dimension:  |          | IEC 60072   | Weld Constr:   |       | ISO 8015                    |                            |                      |  |
|   |           | Tolerance:  |          | ISO 286   | Castings:      |       | ISO 8062                    | Weight: 123 kg             |                      |  |
|   |           | Key:  |          | IEC 60072   |                |       |                             |                            |                      |  |
|   |           |   |          |   |                |       |                             | SHEET 1 OF 1               |                      |  |