

A

B

C

D

E

F

A

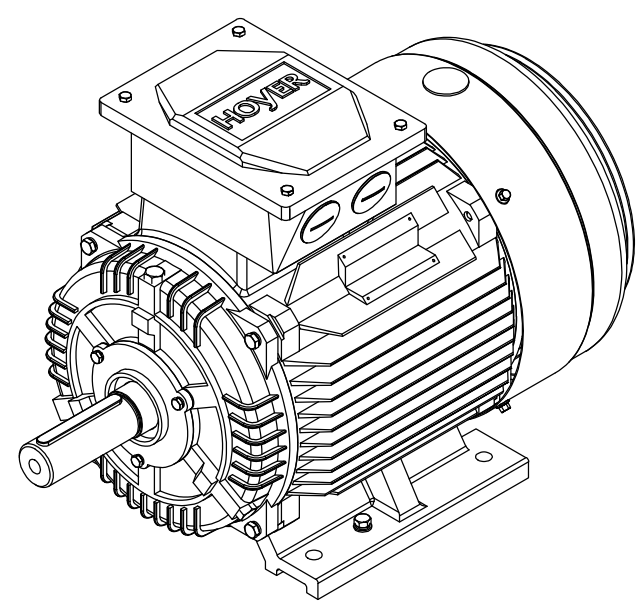
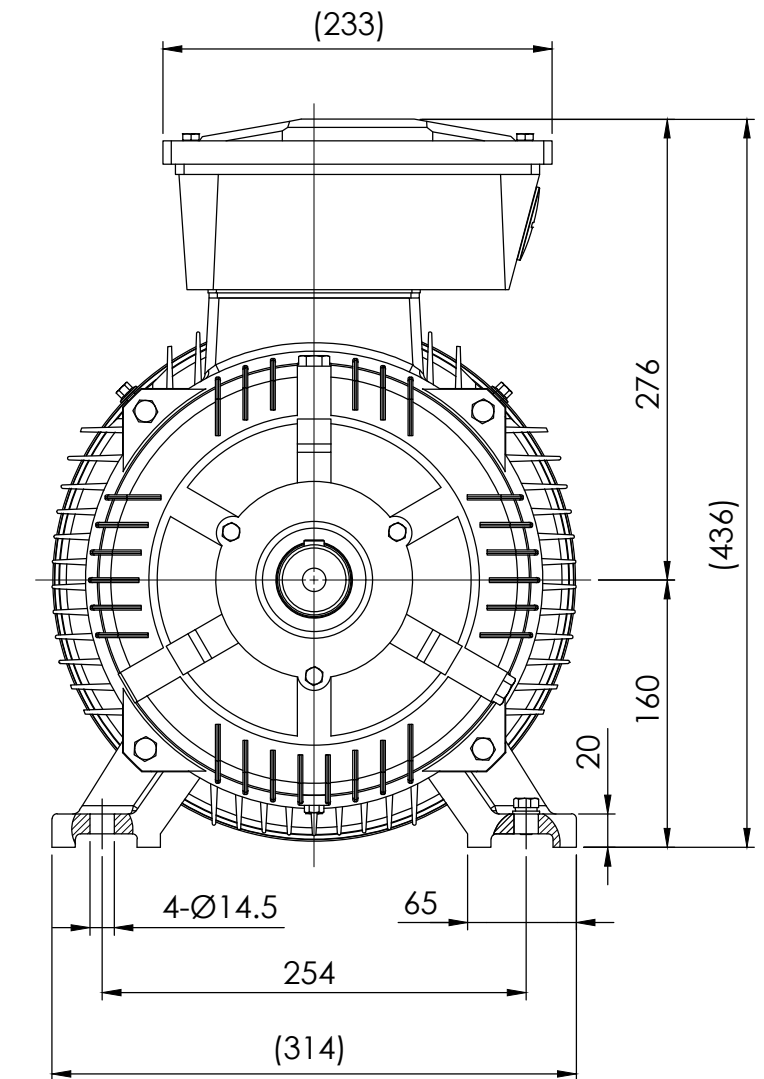
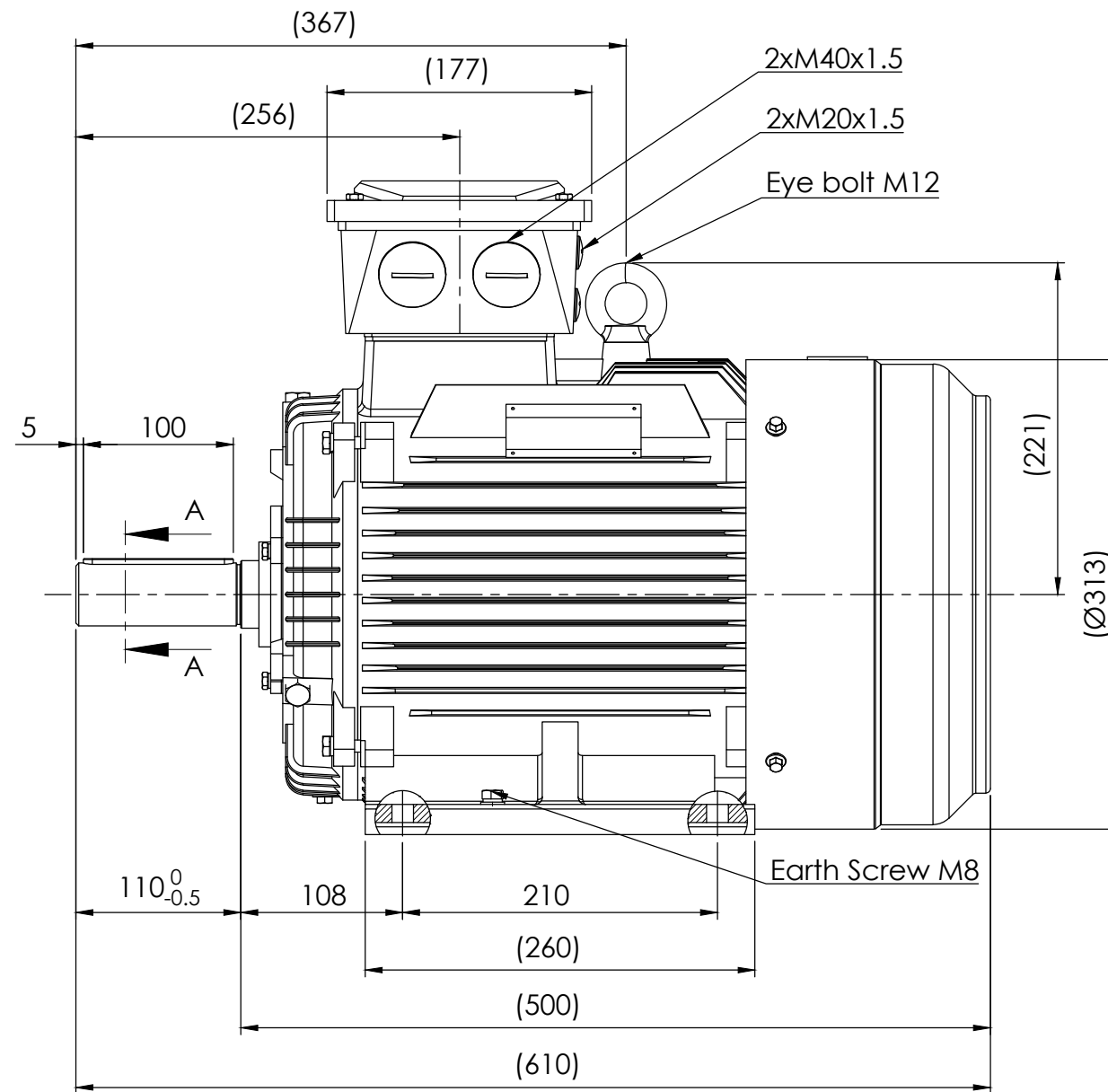
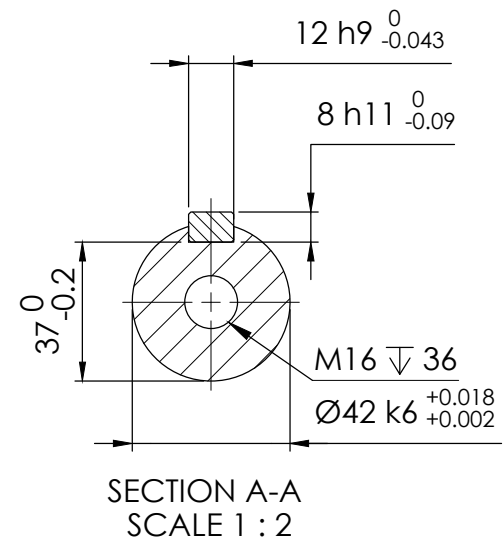
B

C

D



E

F



Note:

- All dimensions are in mm
- Tolerances not informed on the drawing according to the mounting tolerance table.

Mounting tolerance				Hoyer Motors			DEBUR AND BREAK SHARP EDGES	DRAWING NOT IN SCALE	
Dimensions range	Tolerance			Over Hadstenvej 42, DK-8370 Hadsten Tel : +45 86982111 Fax: +45 86981779 www.hoyermotors.com				OUTLINE DRAWING	
0<D≤400	±10	REV.	LOCATION	DESCRIPTION	DATE	RESP.	APPROVED	TITLE: HMC3-160M1-8p-B3	
400<D≤1000	±20	0	N/A	First issued	23/09/2024	L&T	Hoyer		
1000<D≤2000	±30								
2000<D≤4000	±35								
4000<D≤8000	±40								
Unit: mm									
 Representation of the machine is illustrative only Some features may not be represented For installation or maintenance, consult operation manual		Protection:	IEC 60034-5	Machined Part:	ISO 2768	DWG NO.:		A3	
		Dimension:	IEC 60072	Weld Constr:	ISO 8015	TD-ID-D3454			
		Tolerance:	ISO 286	Castings:	ISO 8062	SCALE:1:10		SHEET 1 OF 1	
		Key:	IEC 60072			Weight: 123 kg			