

A

B

C

D

E

F

A

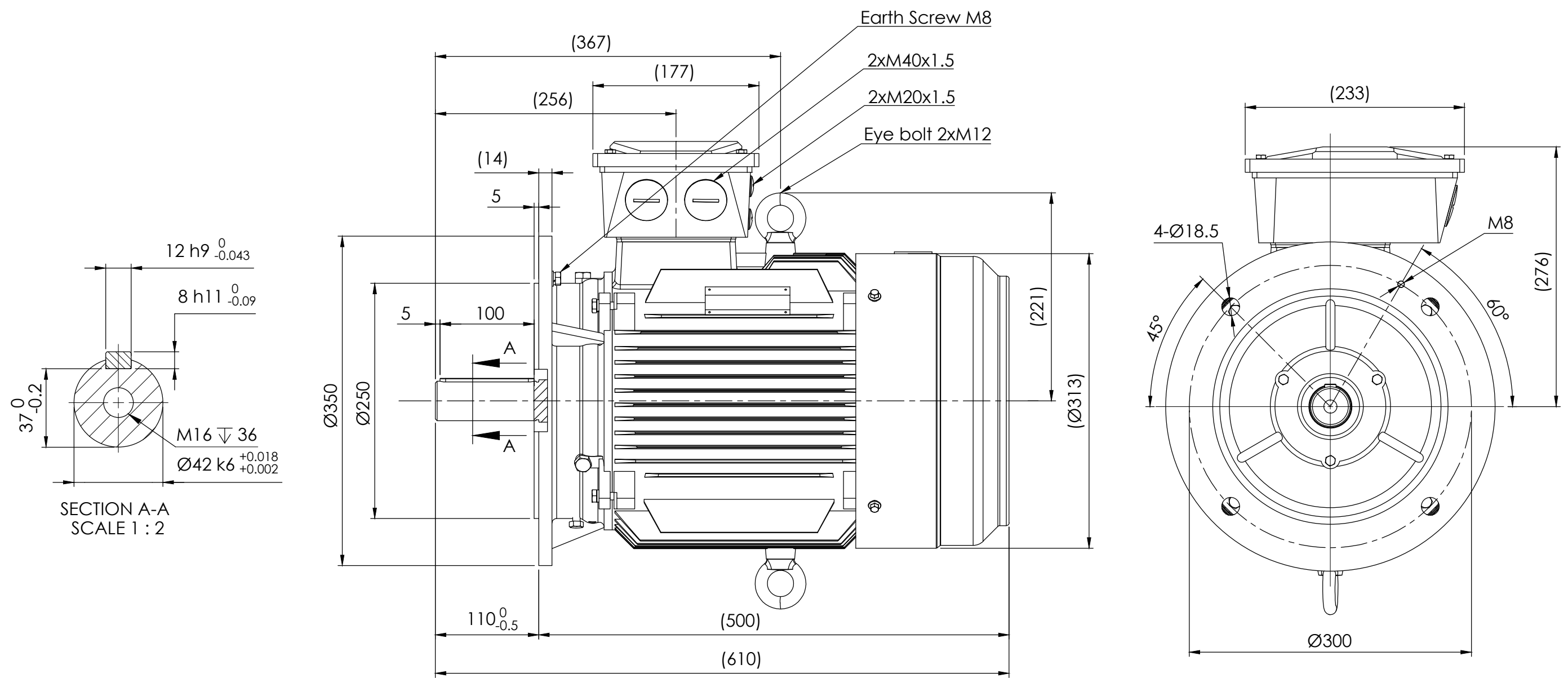
B

C

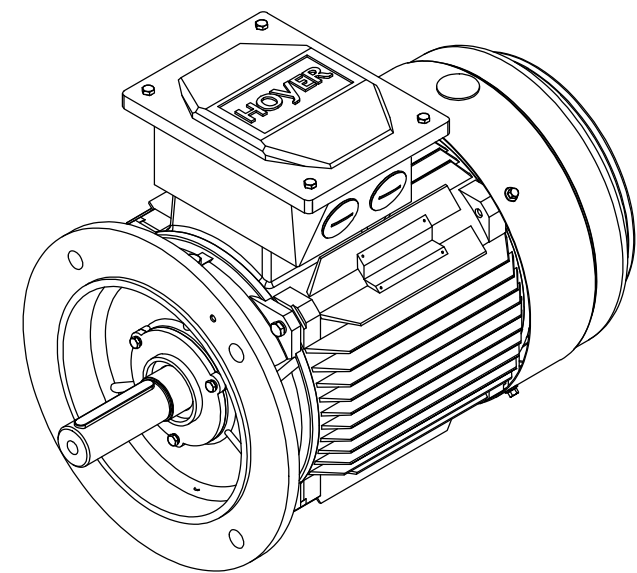
D

E

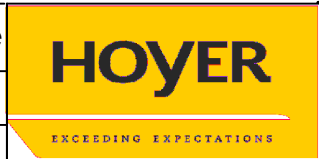

F



SECTION A-A  
SCALE 1 : 2



- Note:  
 1. All dimensions are in mm  
 2. Tolerances not informed on the drawing according to the mounting tolerance table.

Mounting tolerance		 <p><b>HOYER</b> EXCEEDING EXPECTATIONS</p>	Hoyer Motors				DEBUR AND BREAK SHARP EDGES	DRAWING NOT IN SCALE		
Dimensions range	Tolerance		Over Hadstenvej 42, DK-8370 Hadsten					OUTLINE DRAWING		
0<D≤400	±10		REV.	LOCATION	DESCRIPTION	DATE		RESP.	APPROVED	TITLE: HMC3-160M-4p-B5
400<D≤1000	±20		0	N/A	First issued	24/09/2024		L&T	Hoyer	
1000<D≤2000	±30									
2000<D≤4000	±35									
4000<D≤8000	±40									
Unit: mm										
 Representation of the machine is illustrative only Some features may not be represented For installation or maintenance, consult operation manual		Protection:	IEC 60034-5	Machined Part:	ISO 2768	DWG NO.:		TD-ID-D3460 A3		
		Dimension:	IEC 60072	Weld Constr:	ISO 8015	SCALE:1:10				
		Tolerance:	ISO 286	Castings:	ISO 8062	Weight: 122 kg				
		Key:	IEC 60072			SHEET 1 OF 1				